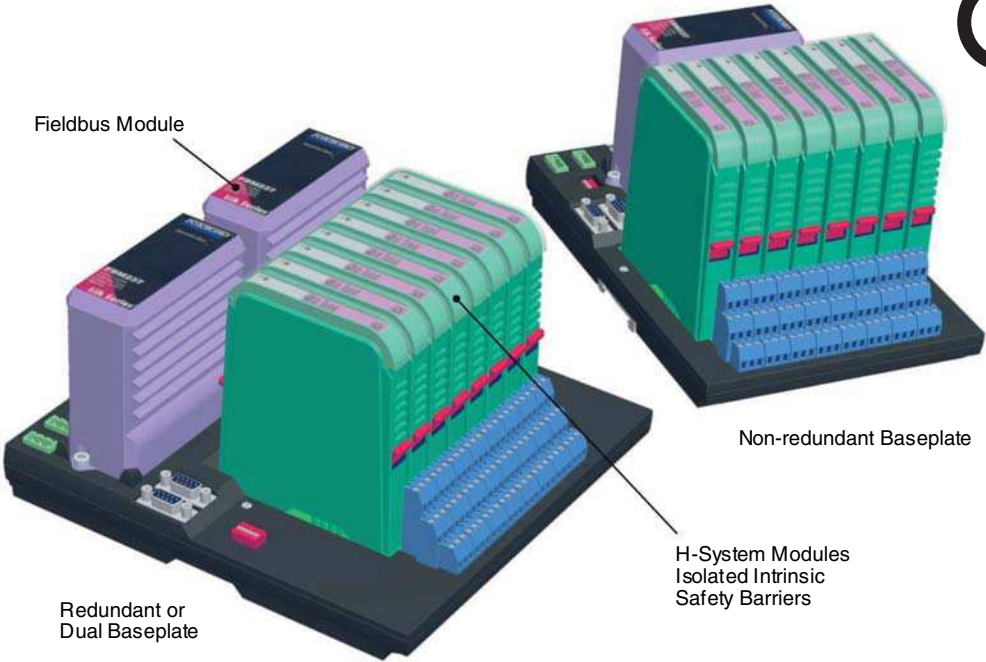


I/A Series[®] System ISTA-*BP* Instruction Manual

December 7, 2012



Invensys, Foxboro, and I/A Series are trademarks of Invensys plc, its subsidiaries, and affiliates
All other brand names may be trademarks of their respective owners.

Copyright 2004 - 2012 Invensys Systems Inc.
All rights reserved

Contents

Figures.....	vii
Tables.....	viii
Preface.....	1
Revision Information	1
Compliance with European Directives	2
Safety Considerations	2
Explanation of Symbols Used	2
User Responsibilities	3
General Safety Requirements	3
Intended Use.....	4
Installation of ISTA-*BP* in a General-Purpose (Unclassified) Area.....	5
Installation of ISTA-*BP* within a Hazardous Classified Location.....	6
Fault Elimination	6
CE Marking.....	7
Delivery	7
Included with Delivery	7
Marking	7
Reference Documents	8
1. Overview	11
Functional and Environmental Considerations	13
Invensys DIN Rail Mounted Fieldbus Modules, Control Processors, and Termination Assemblies	13
Pepperl+Fuchs H-System Modules	13
ISTA-*BP*s Heat Dissipation and Power Consumption	13
Power Supply Loading	15
Baseplate Implementation	16
Module Fieldbus Cable (shielded twisted pairs).....	17
ISTA-*BP* Baseplate Replacement.....	18
Replacing an ISTA-*BP* Baseplate in the First Position	19
Replacing an ISTA-*BP* Baseplate in the Second (or Higher) Position	20
Replacing a Baseplate in the Third (Not the Last) Position	21
Replacing a Baseplate in the Last Position	21
Adding a Baseplate to the Last Position	22
Intrinsic Safety Baseplate	23
ISTA-*BP*	23
Fieldbus Modules	23
H-System Modules	23

Coding of H-System Modules	24
Channel Assignment	25
Fault Monitor	26
HART Protocol.....	27
Description of ISTA-*BP*s.....	29
Non-Redundant (Single)	29
ISTA-201-BPAI – 4 to 20 mA Input Interface Board, HART-Compatible	29
ISTA-201-BPAI-FD - 4 to 20 mA Input Interface Board, HART-Compatible, Line Fault Detection	30
ISTA-201-BPTI - RTD/Thermocouple/mV Interface Board	30
ISTA-204-BPAIO - 4 to 20 mA I/O Interface Board, HART-Compatible	30
Mounting Station A to D:	30
Mounting Station E to H:	30
ISTA-204-BPAIO-FD - 4 to 20 mA I/O Interface Board, Line Fault Detection, HART-Compatible	31
Mounting Station A to D:	31
Mounting Station E to H:	31
ISTA-204-BPTIO - RTD/Thermocouple/mV Input, 4 to 20 mA Output Interface Board	31
Mounting Station A to D:	31
Mounting Station E to H:	31
ISTA-204-BPTIO-FD RTD/thermocouple/mV Input, 4 to 20 mA Output Interface Board, HART-Compatible, Line Fault Detection	32
Mounting Station A to D:	32
Mounting Station E to H:	32
ISTA-207b-BPDI-FD - Voltage Monitor/Contact Sense Input Interface Board	32
ISTA-211-BPAI - 4 to 20 mA Input Interface Board, HART-Compatible	32
ISTA-211-BPAI-3W - 4 to 20 mA Input Interface Board, HART-Compatible	32
ISTA-211-BPTI - RTD/Thermocouple/mV Input Interface Board.....	33
ISTA-214-BPHI - HART-Communication, 4 to 20 mA Input Interface Board	33
ISTA-214-BPHI-FD - HART-Communication, 4 to 20 mA Input Interface Board, Line Fault Detection	33
ISTA-215-BPHO-FD - HART Communication 4 to 20 mA Output Interface Board, Line Fault Detection	33
ISTA-217-BPDI-FD - Discrete Input Interface Board, Line Fault Detection	33
ISTA-237-BPAO - 4 to 20 mA Output Interface Board.....	34
ISTA-237-BPAO-FD - 4 to 20 mA Output Interface Board, HART-Compatible, Line Fault Detection	34
ISTA-241c-BPDIO - Discrete I/O Interface Board	34
Mounting station A to D:	34
Mounting station E to H:	34
ISTA-241c-BPDIO-FD - Discrete I/O Interface Board, Line Fault Detection	34
Mounting Station A to D:	34
Mounting Station E to H:	34
ISTA-242-BPDO - Externally Sourced Discrete Output Interface Board.....	35
ISTA-242-BPDO-FD - Externally Sourced Discrete Output Interface Board, Line Fault Detection	35
Redundant	36

ISTA-216-BPHI-R - Redundant 4 to 20 mA Input Interface Board, HART Communication	36
ISTA-216-BPHI-FD-R - Redundant 4 to 20 mA Input Interface Board, HART Communication, Line Fault Detection	36
ISTA-218-BPHO-FD-R - Redundant 4 to 20 mA Output Interface, HART Communication, Board, Line Fault Detection.....	37
ISTA-237-BPAO-R - Redundant 4 to 20 mA Output Interface Board	37
ISTA-237-BPAO-FD-R - Redundant 4 to 20 mA Output Interface Board, Line Fault Detection, HART-Compatible	37
Dual.....	38
ISTA-201-BPAI-D - 4 to 20 mA Input Interface Board, HART-Compatible	38
ISTA-201-BPAI-FD-D - 4 to 20 mA Input Interface Board, HART-Compatible, Line Fault Detection	38
ISTA-201-BPTI-D - RTD/Thermocouple/mV Interface Board.....	39
ISTA-204-BPAIO-D - 4 to 20 mA I/O Interface Board, HART-Compatible	39
Mounting Station A, B and E, F:.....	39
Mounting Station C, D and G, H:	39
ISTA-204-BPAIO-FD-D - 4 to 20 mA I/O Interface Board, HART-Compatible, Line Fault Detection	39
Mounting Station A, B and E, F:.....	39
Mounting Station C, D and G, H:	39
ISTA-204-BPTIO-D - RTD/Thermocouple/mV Input, 4 to 20 mA Output Interface Board	40
Mounting Station A, B and E, F:.....	40
Mounting Station C, D and G, H:	40
ISTA-204-BPTIO-FD-D - RTD/Thermocouple/mV Input, 4 to 20 mA Output Interface Board, HART-Compatible, Line Fault Detection	40
Mounting Station A, B and E, F:.....	40
Mounting Station C, D and G, H:	40
ISTA-214-BPHI-D - HART-Communication, 4 to 20 mA Input Interface Board	41
ISTA-214-BPHI-FD-D - HART-Communication, 4 to 20 mA Input Interface Board, Line Fault Detection	41
ISTA-215-BPHO-FD-D - HART-Communication, 4 to 20 mA Output Interface Board, Line Fault Detection	41
2. Enclosure Installation.....	43
I/O Cabinet	43
Preinstallation Procedures	45
Unloading	45
Unpacking	45
Subsystem Power Checks	45
3. Equipment Installation.....	47
Baseplate Installation	47
Installation of Modules (FBM, H-System)	48
Fieldbus Modules	48

H-System Modules.....	50
Power Supply, Mounting and Installation	51
Foxboro Power Supply (FPS400-24)	51
Dimensions – Nominal	52
Clearance – Nominal.....	53
Factory Mains Power Connections to the Power Supply	55
Baseplate Power Supply Cabling.....	56
Foxboro Power Supply FPS400-24	56
ISTA-*BP* Power Cable Connections	58
24 V DC Power Distribution Cable Group P0972RN	60
ISTA-*BP* HART Multiplexer Connection	61
ISTA-*BP* ID Switch Setting and Addressing.....	62
Ethernet, Fiber Optic, and Module Bus Cable Runs in Hazardous Areas	65
4. Field Signal Connections	67
Field Wiring to ISTA-*BP* Connections	67
Field (Signal) Wires	69
Appendix A. H-System Modules Specifications without FBMs	71
Module Physical Characteristics	71
Single FBM version of ISTA -*BP*	71
Dual or redundant FBM versions of ISTA -*BP*	71
Power Supply	72
Module Temperature, Relative Humidity, and Contamination	72
Module Vibration	72
Module Heat Dissipation and Power Consumption	72
Electromagnetic Compatibility (EMC)	72
European EMC Directive 2004/180/EC	72
Protection Classes Provided by Housing	73

Figures

1-1.	Layout of an ISTA-*BP* System	12
	Non-Redundant	16
	Dual or Redundant	16
1-2.	Non-Redundant, Dual and Redundant Baseplate	16
1-3.	ISTA-*BP* Interconnection Using Shielded Twisted-Pair Cable	17
1-4.	Normal Connection	18
1-5.	Bypass Connection First Baseplate	19
1-6.	Bypass Connection for Second (Or Higher Number) ISTA-*BP* Baseplate	20
1-7.	Fault Output	26
1-8.	Diagram of HART Mux Installation	28
1-9.	ISTA-2XXy-BPYY Non-Redundant Baseplate	29
1-10.	ISTA-2XXy-BPYY-R Redundant	36
1-11.	ISTA-2XXy-BPYY-D Dual	38
2-1.	I/O Cabinet Layout	44
3-1.	Required Support for ISTA-*BP* with Horizontal DIN Rail Mounting	47
3-2.	Mounting of ISTA-*BP* on DIN Rail	48
3-3.	Mounting of FBM on ISTA-*BP*	49
3-4.	Mounting of H-System Modules on ISTA-*BP*	50
3-5.	Foxboro DIN Rail Mounted FBM Subsystem Equipment Power Supply	51
3-6.	Foxboro Power Supply FPS400-24 Dimensions	52
3-7.	Foxboro Power Supply FPS400-24 Clearance Requirements	53
3-8.	Foxboro Power Supply FPS400-24 Wall Mount Bracket Screw Hole Dimensions	54
3-9.	Input and Output Power Connector from FPS400-24 to Baseplate Connector for Version P0922YU	56
3-10.	Input and Output Power Connector from FPS400-24 to Baseplate Connector for Version P0922YC	57
3-11.	FPS400-24 Power Supply Wiring	58
3-12.	Power Supply Cable Connections at ISTA-*BP*	59
3-13.	Recommended Cabling Solution (P0972RN Cable Group)	60
3-14.	ID Switches	62
3-15.	Addressing a Non-Redundant, Dual or Redundant ISTA-*BP*	63
3-16.	Addressing ISTA-*BP* and FCMs	64
4-1.	Field wiring to ISTA-*BP* Connections showing the terminal blocks per module	67
4-2.	Connecting a H-System Module	68
A-1.	Dimensions of FBM versions	71

Tables

1-1.	Power Consumption	13
1-2.	Coding of Interface Board	24
1-3.	Channel Assignment	25
1-4.	Pinout Assignment for 37-pin HART Connector	28
3-1.	FPS400-24 Input/Output Connectors (P0922YU)	56
3-2.	FPS400-24 Input/Output Connectors (P0922YC)	57
3-3.	P0972RN Cable Group	60
3-4.	Setting the Baseplate ID Switches for Non-Redundant ISTA-*BP* Boards	63
3-5.	Setting the FBM ID Switch for Non-Redundant ISTA-*BP* Boards	63
3-6.	Setting the Baseplate ID Switches for Dual or Redundant ISTA-*BP* Boards	64
3-7.	Setting the FBM ID Switch for Redundant ISTA-*BP* Boards	64
4-1.	H-System Basic Properties	69
4-2.	Protection Classes	73

Preface

This document describes all aspects of the ISTA-*BP* subsystem, including:

- ◆ Installation
- ◆ Configuration
- ◆ Operation

It is intended for use by process engineering, operations, and maintenance personnel. In addition, the manual contains introductory instructions for selecting the correct mounting plate based on a specified 200 Series Fieldbus Module, and it helps in assigning a mounting baseplate and Fieldbus Module for a process measurement and control task. For more information on Fieldbus Modules, isolator modules and HART communication, consult the specific manual to which reference is made.

— **NOTE** —

You must read “Safety Considerations” on page 2 carefully before planning, installation, and commissioning.

Revision Information

For Revision E, the following changes were made to this document:

Preface

- ◆ Updated section "General Safety Requirements" on page 3.
- ◆ Updated section "Intended Use" on page 4.
- ◆ Updated section "Installation of ISTA-*BP* in a General-Purpose (Unclassified) Area" on page 5.
- ◆ Updated section "Installation of ISTA-*BP* within a Hazardous Classified Location" on page 6.
- ◆ Updated section "Fault Elimination" on page 6.
- ◆ Changed section "CE Marking" on page 7.

Chapter 1, “Overview”:

- ◆ Updated section "H-System Modules" on page 23.
- ◆ Updated section "Description of ISTA-*BP*s" on page 29.

Chapter 2, “Enclosure Installation”:

- ◆ Updated section "I/O Cabinet" on page 43.

Appendix A, “H-System Modules Specification without FBMs”:

- ◆ Updated section "Electromagnetic Compatibility (EMC)" on page 72.

Compliance with European Directives


All installation instructions shall be followed for system to comply with mandatory European Directives 94/9/EC for equipment and protective systems intended for use in potentially explosive atmospheres, 2004/108/EC for Electromagnetic Compatibility.

Safety Considerations

Explanation of Symbols Used


Safe use of this product depends largely upon proper installation and maintenance by you, the user. This manual provides the information needed to properly install and maintain the ISTA-*BP* subsystem. Where applicable, appropriate CAUTION, WARNING and NOTE statements are included in the text of this document.

A CAUTION statement warns against potential hazards or unsafe practices which could result in product or property damage; for example:


—  **CAUTION** —

Do not attempt to force the adjustment screw beyond its limit, or the threads may be damaged.

A WARNING statement warns of a level of hazard which could result in personal injury; for example:

—  **WARNING** —

Adjacent components and circuits have shock hazard potential that can cause personal injury. Use insulated tools and observe all safety precautions.

—  **WARNING** —

To prevent explosion, **DO NOT** install or remove cables, wiring, modules, or other replaceable system components in hazardous locations. Remove power to the equipment at the source or ensure that the atmosphere is non-explosive before installing or removing any electrical component.

A NOTE statement draws your attention to important information.

— **NOTE** —

The safety instructions must be read carefully before installation and commissioning.

User Responsibilities

The user must become familiar with the device and must have read and understood the manual before installation and commissioning. Various processes and instructions in this manual require special preventive measures to ensure the safety of employees.

—▲! CAUTION —

Jobs must only be performed on or with the device by persons who are authorized to do so, based on their training and qualifications, and who have read and understood the manual. In addition, these persons must be authorized by the operator to do this!

—▲! CAUTION —

In addition to this manual, you must also observe the requirements for installation in areas subject to the danger of explosion.

General Safety Requirements

—▲! WARNING —

For use as associated apparatus in accordance with EN 60079-11 or ANSI/ISA 12.02.01, the declarations of conformity, control drawings and Federal Requirements for those setting up the equipment must be observed.

—▲! WARNING —

The devices must not be repaired, changed or manipulated. If there is a defect, the product must be returned to manufacturer.

Intended Use

ISTA-*BP*s (Intrinsic Safety Termination Assembly - Base Plate) are intended to be used for applications requiring protection of process control signals from or to approved field devices in hazardous (classified) locations. Galvanic isolators approved as intrinsically safe associated apparatus are mounted on the baseplate and are protective barriers against dangerous electrical energy entering the hazardous areas. These isolators are Pepperl+Fuchs' H-System Modules (HiD = High Density).

Data sheets for the H-System Modules and the associated baseplates must be considered as part of this instruction manual/user's guide. The appropriate intrinsic safety control drawings and EC declarations of conformity information must also be considered as part of this guide.

Laws or regulations concerning the use or planned purpose must be observed.

Devices that are operated in general purpose applications must not thereafter be operated in electrical systems that are connected to hazardous areas.

 **WARNING**

Protection of operating personnel and the system is not guaranteed if the device is not used in accordance with its intended purpose.

 **WARNING**

Mounting plate ISTA-*BP* must only be operated by trained professionals in accordance with available device documentation (instruction manual, data sheet, and certificate of conformity).

EC-Type Examination Certificate number: ZELM 10 ATEX 0446 X. EC-Type Examination Certificate, Declaration of Conformity and instructions have to be observed. This information can be found under www.pepperl-fuchs.com.

CSA Examination Certificate number: 1545160 (LR 66529-18). CSA Examination Certificate, control drawings and instructions have to be observed. This information can be found under www.pepperl-fuchs.com.

Installation of ISTA-*BP* in a General-Purpose (Unclassified) Area

- ◆ ISTA-*BP* mounting plates are designed for protection class IP20 in accordance with IEC/EN 60529. To ensure IP20 all modules must be fitted.
- ◆ ISTA-*BP* mounting plates are designed for use in pollution degree 2 and overvoltage category II in accordance with IEC/EN 60664-1. If used in areas with higher pollution degree, the devices need to be protected accordingly.
- ◆ The intrinsically safe circuits of the H-System Modules that are fitted, can be routed into hazardous areas. Special care must be taken in this case to ensure reliable separation from all non-intrinsically safe circuits. The installation of the intrinsically safe circuits is to be conducted in accordance with the relevant installation regulations.
- ◆ The corresponding entity parameters for the field devices and the isolated modules associated with it as defined for the purpose of explosion protection must be observed when interconnecting intrinsically safe field devices with the intrinsically safe circuits of ISTA-*BP* mounting plates (proof of intrinsic safety). IEC/EN 60079-14 or NEC 500 should be observed in this regard.
- ◆ Intrinsically safe circuits which have been operated with circuits of other type of protection must not be used as intrinsically safe circuits afterwards.
- ◆ The installation instructions in accordance with IEC/EN 60079-14 or NEC 500 must be observed.
- ◆ EC Type Examination Certificate of conformity must be observed. It is especially important to maintain any special conditions that may be indicated.

Installation of ISTA-*BP* within a Hazardous Classified Location

Category 3 (Zone 2)

Class I, Division 2, Groups A, B, C and D; T4 @ + 60 °C

Class I, Zone 2, Ex nA IIC T4; Ta = 60 °C

Class I, Zone 2, AEx nA IIC T4; Ta = 60 °C

- ◆ Mounting plate ISTA-*BP* and the corresponding modules must only be used in Zone 2 if the corresponding conformity information of a named location or a declaration of conformity from the manufacturer is on file.
- ◆ For information on whether these requirements are met, please refer to the individual data sheets for the ISTA-*BP* mounting plate and the related H-System Modules (see www.pepperl-fuchs.com) and the Invensys Foxboro 200 Series Fieldbus Module Product Specification Sheets.
- ◆ The devices should be installed in an enclosure to IP54 or better, in accordance with IEC/EN 60529. An explanation of the IP code is in the Appendix A.
- ◆ The intrinsically safe circuits of the H-System galvanic isolators can be routed into hazardous areas. These are indicated by the blue terminal blocks. Special care must be taken in this case to ensure reliable separation from all non-intrinsically safe circuits. The installation of the intrinsically safe circuits is to be conducted in accordance with the relevant installation regulations.
- ◆ The corresponding entity parameters for the field device and the isolated modules associated with it as defined for the purpose of explosion protection must be observed when interconnecting intrinsically safe field devices with the intrinsically safe circuits of ISTA-*BP* mounting plates (proof of intrinsic safety). IEC/EN 60079-14 or NEC 500 should be observed in this regard.
- ◆ The installation instructions in accordance with IEC/EN 60079-14 or NEC 500 must be observed.
- ◆ Intrinsically safe circuits which have been operated with circuits of other type of protection must not be used as intrinsically safe circuits afterwards.
- ◆ EC Type Examination Certificate and the zone 2 declaration must be observed. It is especially important to maintain any special conditions that may be indicated.

Fault Elimination

No changes must be made to devices that are operated in connection with areas subject to the danger of explosion. The devices must not be repaired, changed or manipulated. If there is a defect, the product must be returned to manufacturer.

CE Marking

Pepperl+Fuchs GmbH

Lilienthalstrasse 200, 68307 Mannheim, Germany

ISTA-*BP*

ZELM 10 ATEX 0446 X

⊕ II (1) G [Ex ia] IIC, ⊕ II (1) D [Ex ia] IIIC, ⊕ II (M1) [Ex ia] I

PF10ATEX1707 X

⊕ II 3 G Ex nA IIC T4 Gc

For further information please refer to www.pepperl-fuchs.com.

Delivery

Make certain the contents are not damaged. If there is damage, notify the post office or shipping company and contact the Customer Satisfaction Center at Invensys Systems, Inc.

Compare the contents of the delivery package with your order and the delivery documents:

- ◆ Quantity supplied
- ◆ Device type and version in accordance with the type plate
- ◆ Accessories (manual, etc.)

Retain the original packaging in case the items have to be stored or further transported at a later date.

If you have any questions, contact Invensys Systems, Inc. Customer Satisfaction Center.

Included with Delivery

- ◆ Base plate
- ◆ H-System Modules
- ◆ Plug for power supply (4 pieces)
- ◆ Plug for fault messages (1 piece)

Marking

The marking that identifies ISTA-*BP* is broken down as follows: ISTA-2XXx-BPYY-(VV)-Z

2XXx: FBM number - example FBM207b

YY: Function - such as: AI, AO, DI, DO, TI, TIO

VV: FD for fault evaluation (only if H-System Module supports the function)

3W for 3-wire transmitter

Z: R for redundant (two FBMs); D for dual (two FBMs)

Reference Documents

In addition to the information presented herein, you should be familiar with the following I/A Series and Pepperl+Fuchs documents:

- ◆ *DIN Rail Mounted Subsystem User's Guide (B0400FA)*
- ◆ *Pepperl+Fuchs Series H-System System Description and Catalog*
(see www.pepperl-fuchs.com)
- ◆ *Pepperl+Fuchs HiDMux2700 HART Multiplexer Manual* (see www.pepperl-fuchs.com)
- ◆ *Control Processor 60 and Control Processor 60S Installation and Maintenance*
(B0400FB)
- ◆ *Control Processor 270 (CP270) Integrated Control Software Concepts (B0700AG)*
- ◆ *Enclosures and Mounting Structures - Site Planning and Installation User's Guide*
(B0700AS)
- ◆ *Field Control Processor 270 (FCP270) User's Guide (B0700AR)*
- ◆ *HART Communication Interface Module (FBM214/215/216/218) User's Guide*
(B0400FF)
- ◆ *Integrated Control Block Descriptions (B0193AX)*
- ◆ *Integrated Control Configurator (B0193AV)*
- ◆ *Integrated Control Software Concepts (B0193AW)*
- ◆ *Power, Earthing (Grounding), EMC and CE Compliance (B0700AU)*
- ◆ *Process Operations and Displays (B0193MM, pre-V8.0 systems)*
- ◆ *Process Operations and Displays (B0700BN, V8.0 and later systems)*
- ◆ *Site Planning (B0193AB)*
- ◆ *Software Installation (Solaris® Platform) (B0193JG)*
- ◆ *System Definition: A Step-by-Step Procedure (B0193WQ)*
- ◆ *System Equipment Installation (B0193AC)*
- ◆ *System Management Displays (B0193JC and associated Help screens)*
- ◆ *Z-Module Control Processor 270 (ZCP270) User's Guide (B0700AN)*

Most are available on the I/A Series Electronic Documentation CD-ROM (K0173TQ). The latest revisions may also be available through the Global Customer Support Center (Global CSC) at <http://support.ips.invensys.com>.

You can also refer to the following Product Specification Sheets:

Product Specification Sheet (PSS) Title	PSS Number
<i>Control Processor 270 (CP270) Integrated Control Software</i>	PSS 21S-3B2 B3
<i>Control Processor 60</i>	PSS 21H-1B7 B3
<i>Control Processor 60 and Control Processor 60 Simplex Integrated Control Software</i>	PSS 21H-1B7 B4
<i>Control Processor 60 Simplex</i>	PSS 21H-1B8 B3
<i>DIN Rail Mounted Equipment, Agency Certifications</i>	PSS 21H-2W2 B3
<i>DIN Rail Mounted Field I/O Signal Termination Assemblies</i>	PSS 21H-2Y4 B3
<i>DIN Rail Mounted Fieldbus Module Baseplate</i>	PSS 21H-2X2 B4
<i>DIN Rail Mounted Modular Baseplates</i>	PSS 21H-2W6 B4
<i>DIN Rail Mounted Power Supply</i>	PSS 21H-2W3 B4
<i>DIN Rail Mounted Subsystem Overview</i>	PSS 21H-2W1 B3
<i>Enclosure Overview for the DIN Rail Mounted FBM Subsystem</i>	PSS 21H-2X1 B3
<i>FBI100 Fieldbus Isolator/Filter</i>	PSS 21H-2Y16 B4
<i>FBM201/b/c/d Analog Input (0 to 20 mA, 0 to 100 mV, 0 to 5 V, 0 to 10 V dc) Interface Modules</i>	PSS 21H-2Z1 B4
<i>FBM204, 0 to 20 mA I/O Interface Module</i>	PSS 21H-2Z4 B4
<i>FBM207/b/c Voltage Monitor/Contact Sense Input Interface Modules</i>	PSS 21H-2Z7 B4
<i>FBM211, 0 to 20 mA Input Interface Module</i>	PSS 21H-2Z11 B4
<i>FBM214 HART Communication Input Interface Module</i>	PSS 21H-2Z14 B4
<i>FBM215 HART Communication Output Interface Module</i>	PSS 21H-2Z15 B4
<i>FBM216 HART Communication Redundant Input Interface Module</i>	PSS 21H-2Z16 B4
<i>FBM217 Discrete Input Interface Module</i>	PSS 21H-2Z17 B4
<i>FBM218 HART Communication Redundant Output Interface Module</i>	PSS 21H-2Z18 B4
<i>FBM237, 0 to 20 mA Output Interface Module (Redundant Ready)</i>	PSS 21H-2Z37 B4
<i>FBM241/b/c/d Discrete I/O Interface Modules</i>	PSS 21H-2Z41 B4
<i>FBM242, Externally Sourced, Discrete Output Interface Module</i>	PSS 21H-2Z42 B4
<i>FCM100E Redundant Fieldbus Communications Module</i>	PSS 21H-2Y11 B4
<i>FCM100Et Redundant Fieldbus Communications Module</i>	PSS 21H-2Y10 B4
<i>FEM100 Fieldbus Expansion Module</i>	PSS 21H-2Y14 B4
<i>Field Control Processor 270 (FCP270)</i>	PSS 21H-1B9 B3
<i>Fieldbus Communications Module, FCM10E</i>	PSS 21H-2Y1 B3
<i>Fieldbus Communications Module, FCM10Ef</i>	PSS 21H-2Y2 B3
<i>Fieldbus Communications Module, FCM2F2/FCM2F4/FCM2F10</i>	PSS 21H-2Y3 B3
<i>Intrinsically Safe Termination Assembly - Base Plate (ISTA-*BP*)</i>	PSS 21H-2Y12 B4
<i>Z-Module Control Processor 270 (ZCP270)</i>	PSS 21H-1B10 B3

1. Overview

*This chapter gives an overview of the Intrinsic Safety Baseplate (ISTA-*BP*) for the Invensys Foxboro 200 Series FBMs used with I/A Series Control Systems*

The ISTA-*BP* fitted with one or two FBM's provides a reliable, high speed communication interface between a control processor (for example the I/A Series control station) and field I/O sensors and actuators. It incorporates innovative equipment packaging, and the use of fiber optic and/or coaxial cabling between Fieldbus Communication Modules (FCMs) to allow local or remote distribution of process I/O points.

- ◆ Baseplate – The baseplate provides a base for mounting of one or two FBMs and eight H-System Modules. Up to 30 baseplates can be interconnected to provide mounting for up to 30 FBMs per FCM or redundant FCM pair.
- ◆ H-System Modules - Intrinsically safe isolators galvanically separate signals between sensors and actuators on the field side and Fieldbus Modules (FBM) on the bus side.
- ◆ Fieldbus Modules (FBMs) – FBMs serve as an interface between the intrinsic safety isolators H-System Module and the I/A Series control station (via Fieldbus Communication Module and the Ethernet trunk Fieldbus). They perform necessary data conversion, providing full support for analog measurement, discrete sensing, and analog or discrete control and digital communication.
- ◆ Fieldbus Communications Modules (FCMs) - FCMs are located on a separate Two Position Baseplate. They form the interface between the control system (for example the I/A Series control station) and the FBMs. FCMs can access a maximum of 32 FBMs per segment.

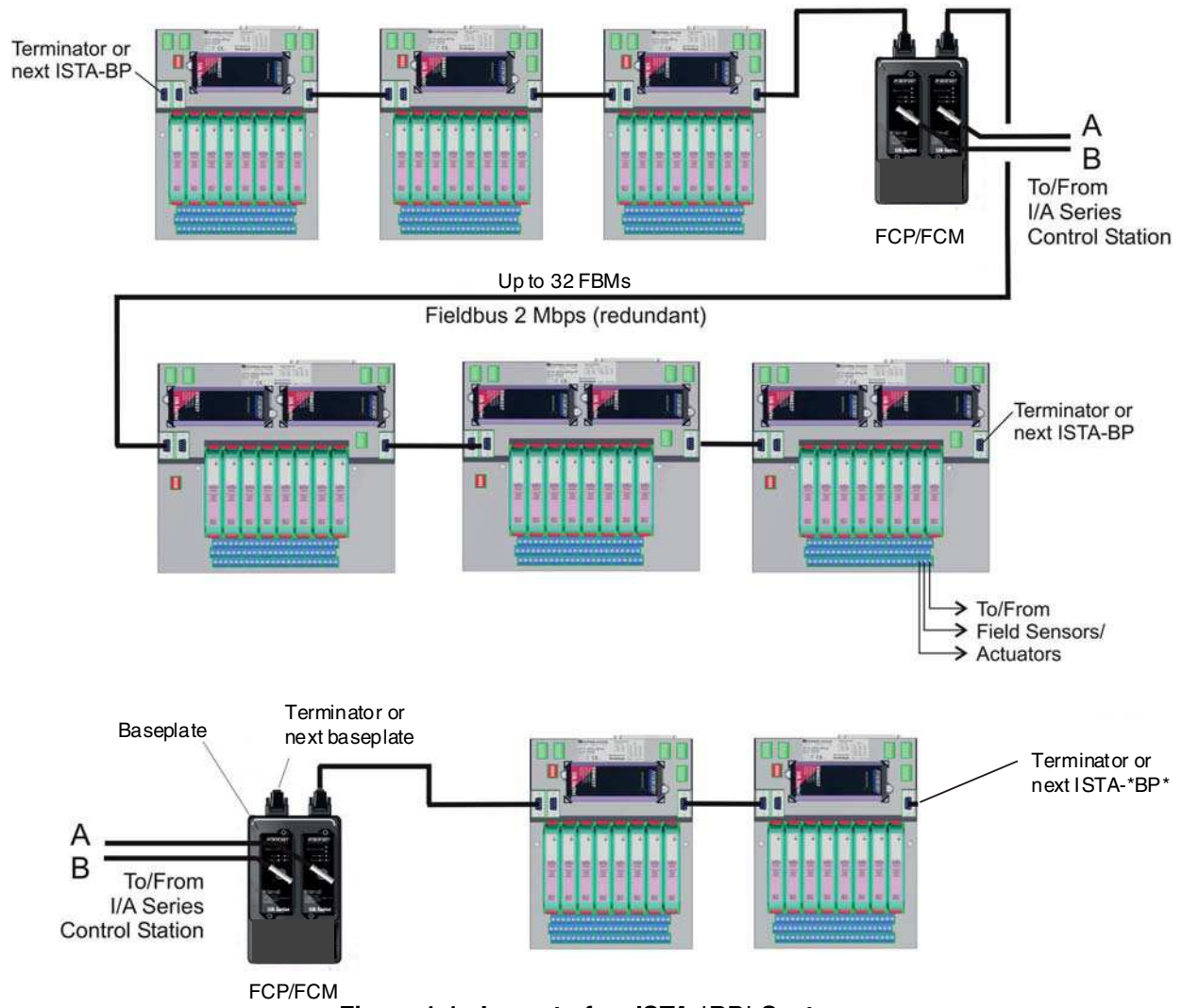


Figure 1-1. Layout of an ISTA-BP* System

Functional and Environmental Considerations

The actual amount of power required for a DIN rail mounted subsystem depends on the number and types of components installed: 200 Series Modules, ISTA-*BP*s, and H-System Modules.

Invensys DIN Rail Mounted Fieldbus Modules, Control Processors, and Termination Assemblies

For information on functional and environmental specifications on 200 Series Modules, and termination assemblies, refer to the relevant Product Specification Sheets (PSSs) posted on the Invensys Global Customer Satisfaction Center web page at <http://support.ips.invensys.com>.

Pepperl+Fuchs H-System Modules

For the functional and environmental specifications relating to the associated H-System Modules, see www.pepperl-fuchs.com.

ISTA-*BP*s Heat Dissipation and Power Consumption

— **NOTE** —

A high installation density of ISTA-*BP*s and power supplies requires forced air ventilation in the cabinet. The necessary protection class of the cabinet must be taken into consideration in designing the ventilation!

The following Table 1-1 gives ISTA-*BP* specifications (with associated FBMs and H-System Modules). For the related ISTA-*BP*s, please also see Table 4-1. “H-System Basic Properties” for more details.

Table 1-1. Power Consumption

				Power Consumption in W			
				for HiD- Modules	FBM* (one)	FBM* (two)	Total with FBM(s)
FBM	ISTA-	Part number	H-System Modules (HiD)		single	dual/ redundant	
FBM201	201-BPAI	234194	8xHiD2025	9,6	7		16,6
	201-BPAI-FD	234198	8xHiD2029	11,52	7		18,5
	201-BPAI-D	234734	8xHiD2026	19,2		14	33,2
	201-BPTI	234246	8xHiD2082	11,52		14	25,5

Table 1-1. Power Consumption

				Power Consumption in W			
				for HiD- Modules	FBM* (one)	FBM* (two)	Total with FBM(s)
FBM	ISTA-	Part number	H-System Modules (HiD)		single	dual/ redundant	
FBM204	204-BPAIO	234252	4xHiD2025 + 4xHiD2031	8,16	7		15,2
	204-BPAIO-FD	234269	4xHiD2025 + 4xHiD2037	8,64	7		15,6
	204-BPTIO	234402	4xHiD2031 + 4xHiD2082	9,12	7		16,1
	204-BPTIO-FD	234404	4xHiD2037 + 4xHiD2082	9,6	7		16,6
	204-BPAIO-D	234257	4xHiD2026 + 4xHiD2032	16,32		14	30,3
	204-BPAIO-FD-D	234274	4xHiD2026 + 4xHiD2038	17,28		14	31,3
	204-BPTIO-D	234403	4xHiD2032 + 4xHiD2082	12,48		14	26,5
	204-BPTIO-FD-D	234405	4xHiD2038 + 4xHiD2082	13,44		14	27,4
FBM207b	207b-BPDI-FD	234484	8xHiD2822	5,76	4		9,8
FBM211	211-BPAI	234485	8xHiD2026	19,2	7		26,2
	211-BPAI-3W	234489	8xHiD2030	23,04	7		30,0
	211-BPTI	234490	8xHiD2082	11,52	7		18,5
FBM214	214-BPHI	234491	8xHiD2025	9,6	7		16,6
	214-BPHI-FD	234493	8xHiD2029	11,52	7		18,5
	214-BPHI-D	234492	8xHiD2026	19,2		14	33,2
	214-BPHI-FD-D	234494	8xHiD2030	23,04		14	37,0
FBM215	215-BPHO-FD	234527	8xHiD2037	7,68	7		14,7
	215-BPHO-FD-D	234530	8xHiD2038	15,36		14	29,4
FBM216	216-BPHI-R	234537	8xHiD2025	9,6		14	23,6
	216-BPHI-FD-R	234538	8xHiD2029	11,52		14	25,5
FBM217	217-BPDI-FD	234588	8xHiD2844	11,52	3		14,5
FBM218	218-BPHO-FD-R	234590	8xHiD2037	7,68		14	21,7
FBM237	237-BPAO	234591	8xHiD2031	6,72	7		13,7
	237-BPAO-FD	234592	8xHiD2037	7,68	7		14,7
	237-BPAO-R	234593	8xHiD2031	6,72		14	20,7
	237-BPAO-FD-R	234594	8xHiD2037	7,68		14	21,7

Table 1-1. Power Consumption

				Power Consumption in W			
				for HiD- Modules	FBM* (one)	FBM* (two)	Total with FBM(s)
FBM	ISTA-	Part number	H-System Modules (HiD)		single	dual/ redundant	
FBM241c	241c-BPDIO	234595	4xHiD2822 + 4xHiD2872	12,48	5		17,5
	241c-BPDIO-FD	234596	4xHiD2822 + 4xHiD2872	15,36	5		20,4
FBM242	242-BPDO	234599	8xHiD2876	19,2	3		22,2
	242-BPDO-FD	234601	8xHiD2872	24,96	3		28,0

*) Please also see individual Foxboro PSS for the respective FBM for possible changes.

Power Supply Loading

For specifications on the DIN rail mounted FPS400-24 power supplies (P0922YU or P0922YC), refer to DIN Rail Mounted Power Supply (PSS 21H-2W3 B4).

The FPS400-24 can also be used as a field power supply to power external field devices. However, for system integrity field devices and DIN rail baseplates should not be powered from the same FPS400-24.

Based on the specifications above, the number of ISTA-*BP*s that can be connected to a single power supply can be estimated.

Baseplate Implementation

Communication between the ISTA-*BP* with the 200 Series FBMs and the I/A Series control station is performed over the 2 Mbps Fieldbus with either FCP270 control stations, or ZCP270s/CP60s via FCM devices. The FBMs automatically accept communication from either communication path of the redundant Ethernet trunk Fieldbus. Thus, if one path fails, communication is not interrupted.

A Fieldbus segment consists of two Fieldbus Communication Modules (FCM) and a maximum of 32 ISTA-*BP*s with one FBM or a maximum of 16 redundant or dual ISTA-*BP*s, since each FBM of a ISTA-*BP* has its own address assigned to it.

ISTA-*BP* is fitted with one or two FBMs and eight isolator modules of type H-System. The baseplate also provides the necessary connectors for redundant power, redundant module Fieldbus and I/O signal cable connections.

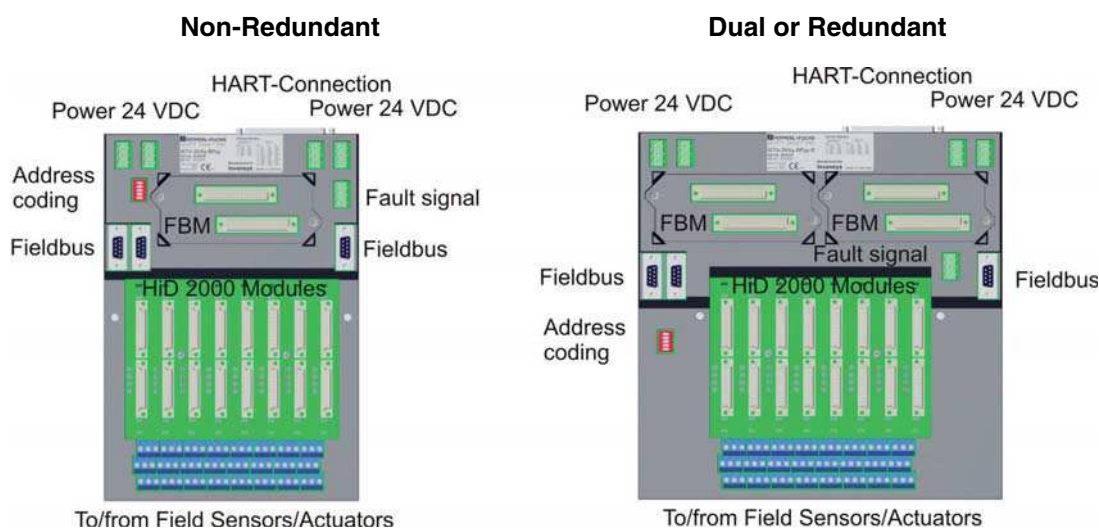


Figure 1-2. Non-Redundant, Dual and Redundant Baseplate

As shown in Figure 1-2, the baseplate is available in three basic configurations, non-redundant, dual and redundant.

Figure 1-3 shows the baseplate interconnection using only shielded twisted-pair cable. This configuration is used when the thirty (maximum) ISTA-*BP* are mounted in the same general location (for example, in multiple enclosures in the same area). The Fieldbus wiring consists of cable with a 9-pin Sub-D plug carrying the Fieldbus signal redundantly.

Module Fieldbus Cable (shielded twisted pairs)

The values below apply to the connections from the control processor to the ISTA-*BP*

- ◆ 0.12 m (5 in)
- ◆ 0.25 m (10 in)
- ◆ 0.5 m (20 in)
- ◆ 1 m (3.3 ft)
- ◆ 3 m (9.9 ft)
- ◆ 5 m (16.5 ft)
- ◆ 10 m (33 ft)
- ◆ 20 m (66 ft)
- ◆ 30 m (99 ft)
- ◆ 60 m (198 ft).

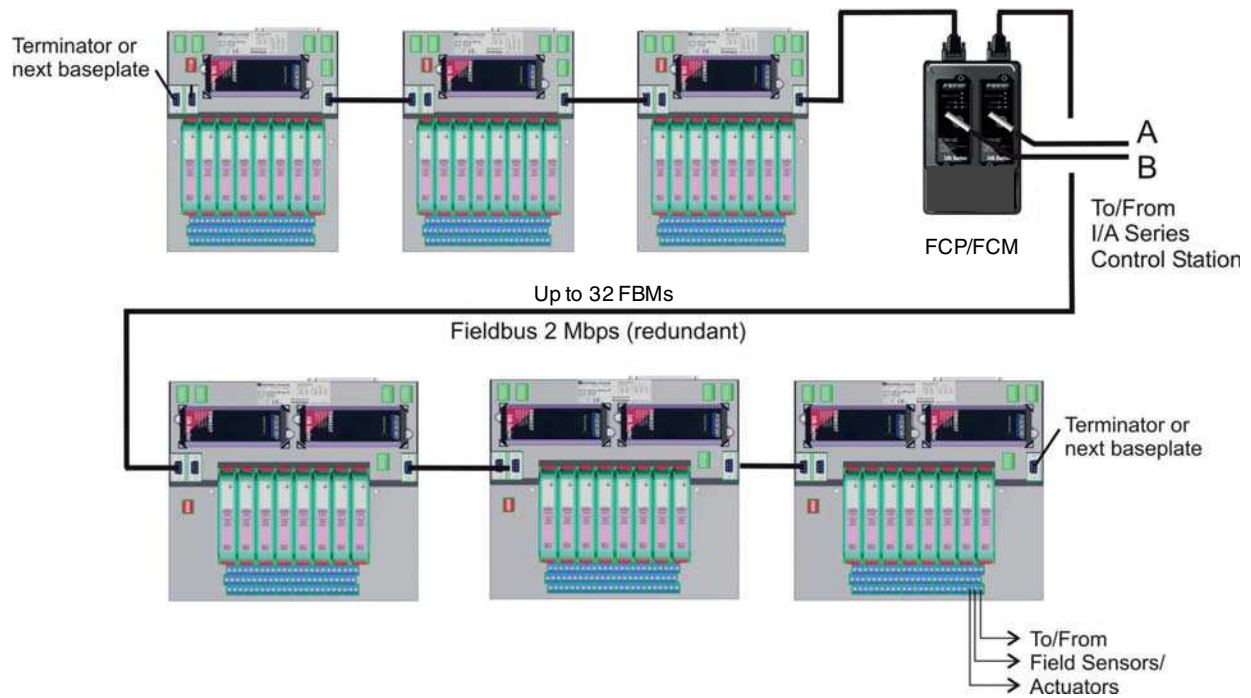


Figure 1-3. ISTA-*BP* Interconnection Using Shielded Twisted-Pair Cable

ISTA-*BP* Baseplate Replacement

A neighboring ISTA-*BP* can be bypassed with the third 9-pin Sub-D plug on the ISTA-*BP*;
 see Figure 1-3. The bypassed ISTA-*BP* can then be dismantled with no problem. A normal
 connection is shown in Figure 1-4.

— NOTE —

It is recommended that the following procedures be performed during normal
 scheduled plant maintenance outages so that the FBMS can be taken offline

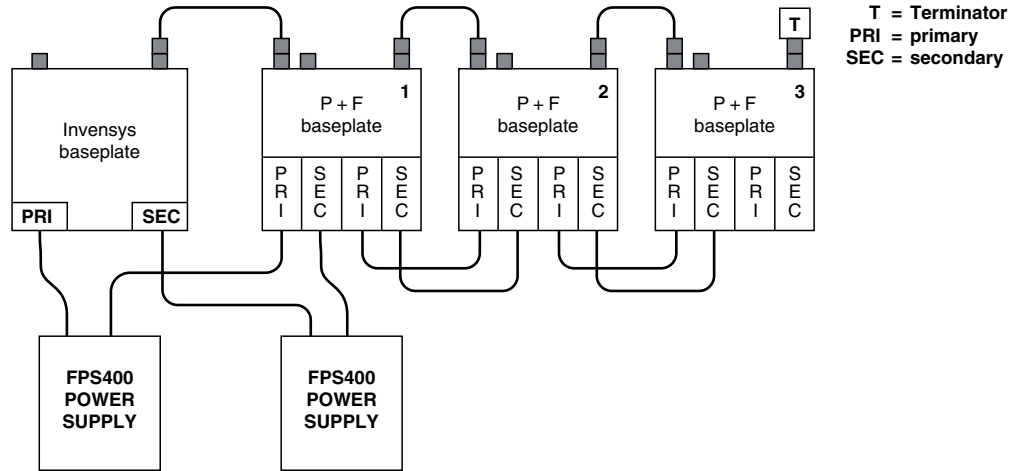


Figure 1-4. Normal Connection

Replacing an ISTA-*BP* Baseplate in the First Position

To replace the first ISTA-*BP* Baseplate (next to the Invensys Foxboro Baseplate) without modules on other baseplates going off line, proceed as follows:

1. Assemble the Fieldbus Bypass Cable (shown in Figure 1-5) using:
 - ◆ 2 Terminator/splitters
 - ◆ 3 Fieldbus cables, and
 - ◆ A gender changer connector.

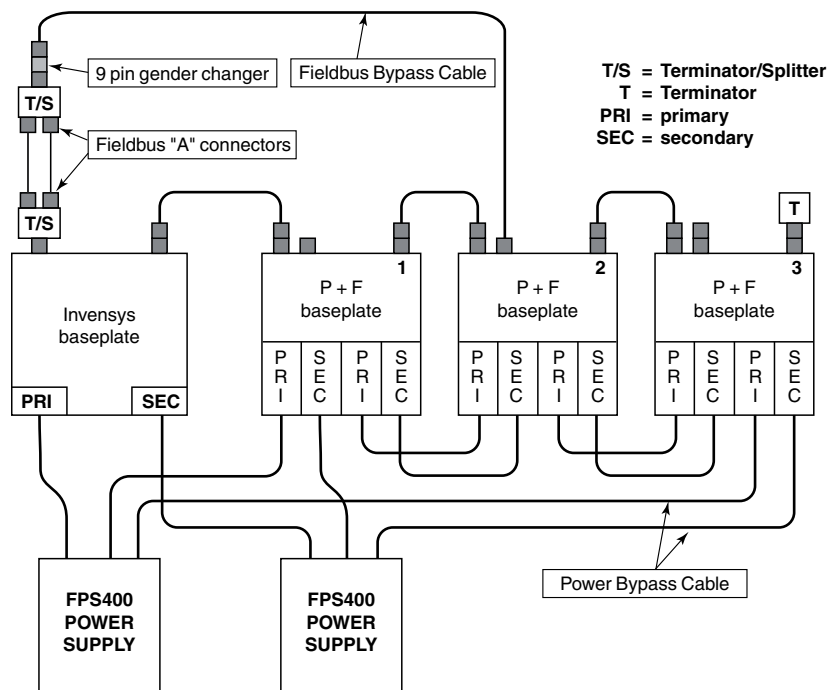


Figure 1-5. Bypass Connection First Baseplate

2. Switch FB “A” and FB “B” terminators ON at the T/S that attaches to the Invensys Foxboro baseplate. Make sure that the Time Strobe (TS “A” and TS “B”) switches are OFF.
3. Switch all the FB and TS switches OFF at the other T/S.
4. Install the fieldbus bypass cable as shown in Figure 1-5.
5. Install the power bypass cables as shown in Figure 1-5. When installing power bypass cables, ensure that the primary power goes to the power source and the secondary power goes to the secondary source.
6. Disconnect the power and fieldbus cables and Terminator from first ISTA-*BP* baseplate.
7. Disconnect the field wiring from first ISTA-*BP* baseplate.
8. Remove the first ISTA-*BP* baseplate from DIN rail and replace it with new baseplate.
9. Remove the DIN FBMs from the replaced baseplate and place them onto the new baseplate
10. Connect the field wiring to new baseplate.

11. Connect the terminator, power and fieldbus cables to new baseplate.
12. Remove the power bypass cables.
13. Remove the fieldbus bypass cable.

Replacing an ISTA-*BP* Baseplate in the Second (or Higher) Position

To replace the second (or higher number) ISTA-*BP* baseplate without modules on other baseplates going off line, proceed as follows:

1. Ensure that a Terminator is added to the Invensys baseplate as shown in Figure 1-6.

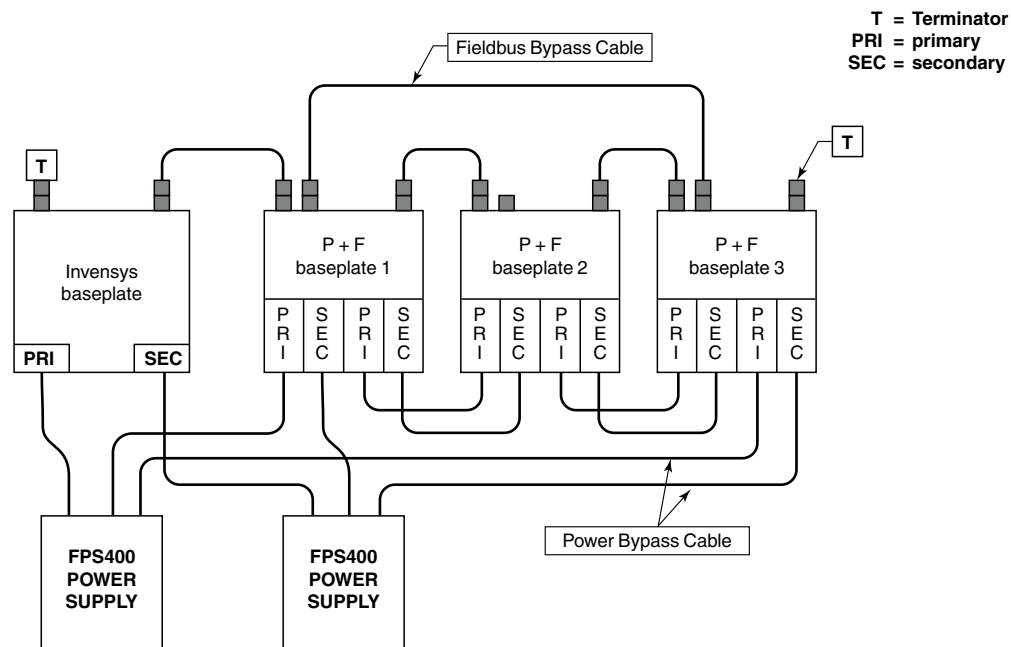


Figure 1-6. Bypass Connection for Second (Or Higher Number) ISTA-*BP* Baseplate

2. Install terminator on last P+F- baseplate (#3).
3. Install field bus bypass cable between first (#1) and last P+F-baseplates (#3).
4. Remove terminator from Invensys baseplate. When installing power bypass cables, ensure that the primary power goes to the power source and the secondary power goes to the secondary source.
5. Install the power bypass cables as shown in Figure 1-6.
6. Disconnect the power and fieldbus cables from the second ISTA-*BP* baseplate.
7. Disconnect the field wiring from the second ISTA-*BP* baseplate.
8. Remove the DIN FBMs from the replaced baseplate and place them onto the new baseplate.
9. Remove the second ISTA-*BP* baseplate from the DIN rail and replace it with the new baseplate.
10. Connect the field wiring to the new baseplate.
11. Connect the power and fieldbus cables to the new baseplate.
12. Remove the power bypass cables.
13. Install terminator on Invensys baseplate.

14. Remove terminator from last P&F baseplate (#3).
15. Remove the terminator from the Invensys Foxboro baseplate.

Replacing a Baseplate in the Third (Not the Last) Position

For baseplates starting at the third position (with the exception of the last position), the procedure is the same as the previous procedure, except that Steps 1, 2, 12, and 13 are not required.

1. Install the fieldbus bypass cable as shown in Figure 1-6.
2. Install the power bypass cables as shown in Figure 1-6. When installing power bypass cables, ensure that the primary power goes to the power source and the secondary power goes to the secondary source.
3. Disconnect the power and fieldbus cables from the third ISTA-*BP* baseplate.
4. Disconnect the field wiring from the third ISTA-*BP* baseplate.
5. Remove the third ISTA-*BP* baseplate from the DIN rail and replace it with the new baseplate.
6. Remove the DIN FBMs from the replaced baseplate and place them onto the new baseplate.
7. Connect the field wiring to the new baseplate.
8. Connect the power and fieldbus cables to the new baseplate.
9. Remove the power bypass cables.
10. Remove the fieldbus bypass cable.

Replacing a Baseplate in the Last Position

To replace a baseplate in the last position, proceed as follows:

1. Install a terminator on the next to the last baseplate.
2. Disconnect the power and fieldbus cables from the last ISTA-*BP* baseplate.
3. Disconnect the field wiring from the last ISTA-*BP* baseplate.
4. Remove the last ISTA-*BP* baseplate from the DIN rail and replace it with the new baseplate.
5. Remove the DIN FBMs from the replaced baseplate and place them onto the new baseplate.
6. Connect the field wiring to the new baseplate.
7. Connect the power and fieldbus cables to the new baseplate.
8. Remove the terminator from the old baseplate and install on a new baseplate.
9. Remove the terminator from the next to the last baseplate.

Adding a Baseplate to the Last Position

To add a baseplate at the end, proceed as follows:

1. Install a terminator on the next to last baseplate.
2. Remove the terminator from the last baseplate.
3. Add a new baseplate and connect the power and fieldbus cables.
4. Add a terminator to the new baseplate and remove the terminator that was installed in Step 1.

Intrinsic Safety Baseplate

ISTA-*BP*

ISTA-*BP*s are intrinsic safety interfaces consisting of a baseplate and eight intrinsic safety isolators. One or two Foxboro Fieldbus Modules (FBM) can be mounted on the ISTA-*BP* baseplate but are not included with the ISTA-*BP*. A broad range of ISTA-*BP* types are available to provide support for various analog measurement, discrete sensing, and analog or discrete control requirements.

Fieldbus Modules

The Fieldbus Modules (FBM) perform the signal conversion required to interface the electrical signals to/from the field devices to the I/A Series control station. Light-emitting diodes (LEDs) incorporated into the front of each module provide visual status indications of the Fieldbus Module functions. The FBMs plug onto the baseplate by means of their two connectors, and each is fastened in place by two hex screws.

H-System Modules

H-System Modules (galvanic isolators) provide intrinsically safe circuits to field devices. Each H-System Module must be matched to an approved field device using Entity Parameters.

— NOTE

The ISTA*-BP* must be fitted with eight H-System Modules and the individual H-System Modules must be chosen to match the FBM type; see “Fieldbus Modules” on page 23.

H-System Modules are plugged into the connectors on the baseplate. Press down on the two tabs on either side of the module to lock the module into the baseplate.

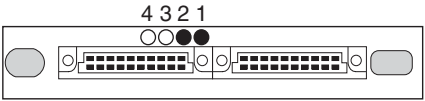
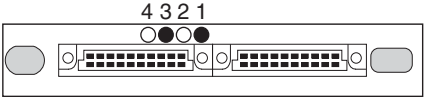
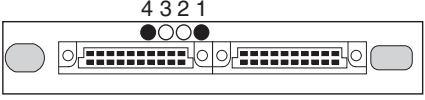
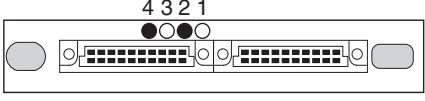
—  WARNING

Only Pepperl+Fuchs H-System modules which are approved for direct insertion into termination board must be used.

Coding of H-System Modules

The H-System Modules are provided with four prongs protruding from the bottom of the case, to mate the corresponding holes on the interface board. Coding prevents the interchange of modules having different safety parameters.

Table 1-2. Coding of Interface Board

	Coding of Interface Board	Safety Parameters	H-System Modules
1		13.1 V / 22 mA	2082 / 2822 / 2844
2		26.25 V / 93 mA	2025 / 2026 / 2029 / 2030 / 2031 / 2032 / 2037 / 2038 / 2876
3		26.25 V / 110 mA	2872
4		10 V / 15 mA	2082

Explanation of symbols: ● = Plug, ○ = Bore hole

If no information about which H-System Modules will be used, all bore holes on the mounting plate will be closed with plugs. Replacement plugs can be obtained upon request.

— CAUTION —

Code the plug-in stations according to the table.

Plugs for mounting plates and H-System Modules are easy to remove; the plug-in stations and H-System Modules can be coded according to the table.

— NOTE —

Invensys Systems, Inc. will not honor any warranty claim for damages resulting from improper use or failure to observe the procedures described here.

Channel Assignment

The assignment of channels of FBM and H-System Modules is identical for all ISTA-*BP*. It is summarized in the following table.

Table 1-3. Channel Assignment

Fieldbus Module	H-System Module 1-Channel	H-System Module 2-Channel	H-System Module 4-Channel
Channel 1	Module A	Module A - Channel 1	Module A - Channel 1
Channel 2	Module B	Module A - Channel 2	Module A - Channel 2
Channel 3	Module C	Module B - Channel 1	Module A - Channel 3
Channel 4	Module D	Module B - Channel 2	Module A - Channel 4
Channel 5	Module E	Module C - Channel 1	Module B - Channel 1
Channel 6	Module F	Module C - Channel 2	Module B - Channel 2
Channel 7	Module G	Module D - Channel 1	Module B - Channel 3
Channel 8	Module H	Module D - Channel 2	Module B - Channel 4
Channel 9	-	Module E - Channel 1	Module C - Channel 1
Channel 10	-	Module E - Channel 2	Module C - Channel 2
...	-
Channel 16	-	Module H Channel 2	Module D Channel 4
Channel 17	-	-	Module E Channel 1
...	-	-	...
Channel 32	-	-	Module H Channel 4

Fault Monitor

Various types of H-System Modules have a separate output to indicate a fault condition, such as lead breakage or short circuit. The addition of FD in the type code of the ISTA-*BP* boards refers to fault evaluation performed by the isolator modules.

The fault output on the mounting plate indicates a fault on one or more circuits which are connected to this board. It is designed as an open collector for a maximum of 30 V and 10 mA.

The open collector in this case represents that there is no Fault. In the event of an fault, the transistor is shorted to ground and the collector is closed.

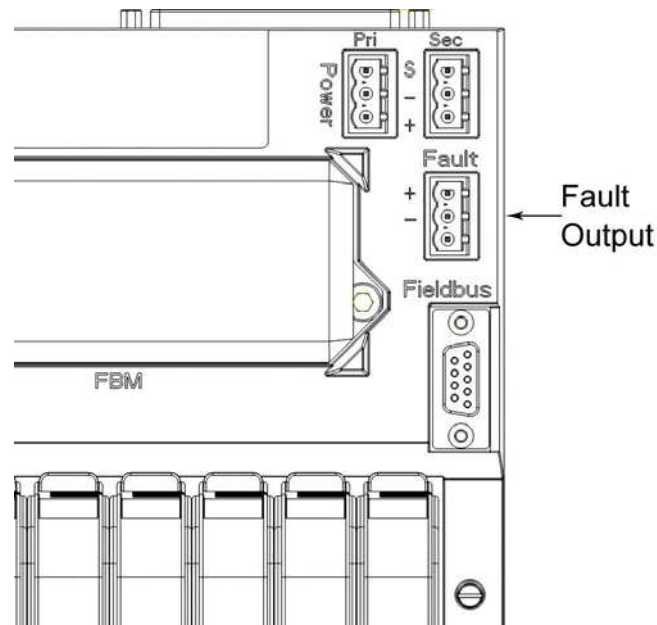


Figure 1-7. Fault Output

The fault monitor can be further processed in two different ways:

- ◆ An LED on the HiD-modules indicates a local fault on the specific module and channel.
- ◆ One or more fault outputs on the ISTA-BPs are wired in parallel and combined to form a single fault bus, indicated by the fault monitor board HIATB01-FAULT-01 in the event of an error.

Path 1: This indication allows identifying on what channel of the ISTA-BP there's a fault.

Path 2: The fault monitor board has been designed to feed in the fault bus from all connected ISTA-BPs and remotely indicate a general alarm. The fault bus signal can be wired in a ring (daisy chain) or redundant in a star. Failure of power supply or circuit faults in the field will be shown on the fault monitor board via LED and will be made available via potential free normally open relay contact. The NO relay contact is de-energized in case of a fault.

HART Protocol

Current repeater H-System Modules of the type HiD2025, HiD2026, HiD2029, HiD2030 and driver/repeater modules HiD2037 and HiD2038 transfer the HART protocol bi-directionally for HART devices.

There are two paths for transmitting the HART protocol to the HART device:

- 1) HART-capable FBMs.
- 2) Connection to a Pepperl+Fuchs H-System HART-Multiplexer solution using the HiD Mux 2700.

— NOTE

Do not use a HART-Multiplexer path simultaneously in connection with HART-capable FBMs as multiple master devices may cause communication errors.

Path 1: HART-capable FBMs such as 214, 215, 216 and 218 transfer the digital HART bi-directional from the I/A Series Fieldbus to the HART devices. This way of HART-communication is processed through the FBMs.

Path: 2: All ISTA-*BP*s used with analog I/O signals offer a 37-Pin Sub-D Connector on the baseplate allowing to connect to the H-system HART Multiplexer solution HiD Mux 2700. The HiD Mux 2700 supports up to 32 channels and can be placed onto two different HART communication boards. The HIATB01-HART-2x16 (for dual boards supporting 2x 16 channels) or HIATB01-HART-4x08 (for simplex or redundant boards supporting 4x 8 channels).

This interface offers HART-communication to HART enabled field devices even if the FBMs are not HART-capable. Therefore the ISTA-BPs are equipped with communication resistors, allowing the HART signal to be “picked up” by the HART multiplexer and transmitted over a dedicated RS 485 network to a workstation for use with compatible HART management software. Figure 1-8 shows a typical setup of such a HART multiplexer application interfacing the HART-Connector on the ISTA-BP and the HART communication board with a system cable. Also, please see www.pepperl-fuchs.com for more information.

The wiring is shown in the following figure:

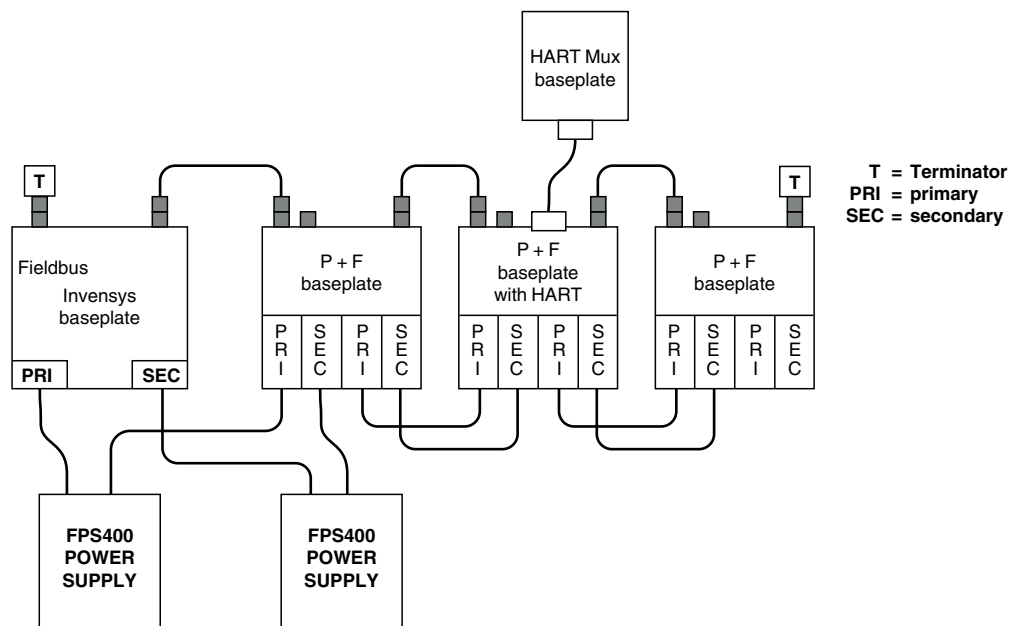


Figure 1-8. Diagram of HART Mux Installation

Table 1-4. Pinout Assignment for 37-pin HART Connector

ISTA-*BP* 8 Channels	Pin		ISTA-*BP* 16 Channels	Pin	
	+	-		+	-
Module A	19	37	Module A - Channel 1	19	37
Module B	18	36	Module A - Channel 2	18	36
Module C	17	35	Module B - Channel 1	17	35
Module D	16	34	Module B - Channel 2	16	34
Module E	15	33	Module C - Channel 1	15	33
Module F	14	32	Module C - Channel 2	14	32
Module G	13	31	Module D - Channel 1	13	31
Module H	12	30	Module D - Channel 2	12	30
-	-	-	Module E - Channel 1	11	29
-	-	-
-	-	-	Module H - Channel 2	4	22

Description of ISTA-*BP*s

Non-Redundant (Single)

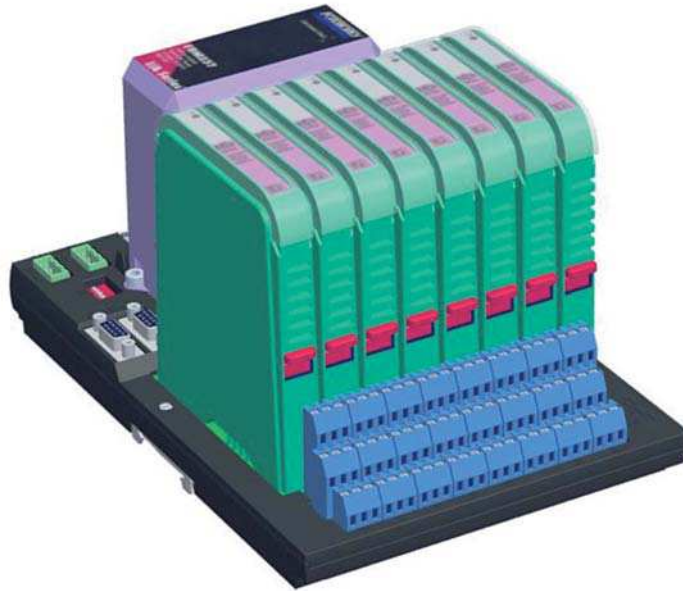


Figure 1-9. ISTA-2XXy-BPYY Non-Redundant Baseplate

The following subsections describe the functions of the individual types of ISTA-*BP*s. For more detailed information concerning intrinsically safe isolator modules of series H-System, you can refer to the user's manual of Pepperl+Fuchs. The Invensys Foxboro Product Specification Sheets (PPSs) provide detailed Information on Fieldbus Modules (FBM).

— NOTE —

The wiring between the FBM and the H-System Modules is built into the baseplate and ensures correct data exchange between the FBM and the eight H-System Modules.

ISTA-201-BPAI – 4 to 20 mA Input Interface Board, HART-Compatible

ISTA-201-BPAI is fitted with eight 1-channel HiD2025 modules and prepared for mounting a FBM201 module. The HiD2025 provides a fully floating supply to power a 2-wire transmitter in a hazardous area. It repeats the measurement current in the safe area. The output is galvanically isolated from the input and referenced to the power supply return (common). Bi-directional communication with a HART transmitter is possible via the 37-pin HART Connector.

ISTA-201-BPAI-FD - 4 to 20 mA Input Interface Board, HART-Compatible, Line Fault Detection

ISTA-201-BPAI-FD is fitted with eight 1-channel HiD2029 modules and prepared for mounting a FBM201 module. The HiD2029 provides a fully floating supply to power a 2- or 3-wire transmitter in a hazardous area, repeating the current to the FBM201. Bi-directional communication with a HART transmitter is possible via the 37-pin HART Connector.

The output is isolated from the input and the power supply. A separate fault output indicates if the input signal is outside the range 0.2 to 24 mA.

ISTA-201-BPTI - RTD/Thermocouple/mV Interface Board

ISTA-201-BPTI is fitted with eight 2-channel HiD2082 modules and prepared for mounting a FBM201 module. The HiD2082 converter converts input signal of resistance temperature measurement sensors (RTD), several thermocouples or remote transducers from the hazardous area into an isolated analog current signal of 4 to 20 mA. The 4 to 20 mA signal is the input signal of the FBM201.

Supported RTD's are Pt100 and Ni100 in 2-, 3- or 4-wire technology. Supported thermocouples are types B, E, J, K, L, N, R, S and T. The parameterization occurs via software (for example, PACTware™).

The output is isolated from the input and the power supply.

The FBM201 processes only data from the first channel of the HiD2082 module.

ISTA-204-BPAIO - 4 to 20 mA I/O Interface Board, HART-Compatible

ISTA-204-BPAIO is fitted with four 1-channel HiD2025 modules and four 1-channel HiD2031 modules. It is prepared for mounting a FBM204 module.

Mounting Station A to D:

The HiD2025 provides a fully floating supply to power a 2-wire transmitter in a hazardous area. It repeats the measurement current in the safe area. The output is galvanically isolated from the input and is referenced to the power supply return (common). Bi-directional communication with a HART transmitter is possible via the 37-pin HART Connector.

Mounting Station E to H:

The HiD2031 output repeater repeats a 4 to 20 mA input signal from the FBM204 to an I/P converter, control valve or display that is located in the hazardous area. The HiD2031 has a low input impedance. An open circuit in the field presents a high impedance to the FBM204 to allow alarm conditions to be monitored.

ISTA-204-BPAIO-FD - 4 to 20 mA I/O Interface Board, Line Fault Detection, HART-Compatible

ISTA-204-BPAIO-FD is fitted with four 1-channel HiD2025 modules and four 1-channel HiD2037 modules. It is prepared for mounting a FBM204 module.

Mounting Station A to D:

The HiD2025 provides a fully floating supply to power a 2-wire transmitter in a hazardous area. It repeats the measurement current in the safe area. The output is galvanically isolated from the input and is referenced to the power supply return (common).

Mounting Station E to H:

The HiD2037 repeats a 4 to 20 mA input signal from the FBM204 module to drive I/P converters, electro valve actuators and displays located in a hazardous area. HiD2037 was developed especially for use with the HART compatible field devices. A fault output reports a broken wire or short circuit via the fault output.

Bi-directional communication with HART transmitters or HART-Compatible actuators is possible via the 37-pin HART Connector.

ISTA-204-BPTIO - RTD/Thermocouple/mV Input, 4 to 20 mA Output Interface Board

ISTA-204-BPTIO is fitted with four 1-channel HiD2031 modules and four 2-channel HiD2082 modules and prepared for mounting a FBM204 module.

Mounting Station A to D:

The HiD2082 converter converts input signals of resistance temperature measurement sensors (RTD), several thermocouples or remote transducers from the hazardous area into an isolated analog current signal of 4 to 20 mA. The 4 to 20 mA signal is the input signal of the FBM204.

Supported RTD's are Pt100 and Ni100 in 2-, 3- or 4-wire technology. Supported thermocouples are types B, E, J, K, L, N, R, S and T. The parameterization occurs via software (for example, PACTwareTM). The output is isolated from the input and the power supply. The FBM204 processes only data from the first channel of the HiD2082 module.

Mounting Station E to H:

The HiD2031 output repeater repeats a 4 to 20 mA input signal from the FBM204 module to an I/P converter, control valve or display that is located in the hazardous area. The HiD2031 has a low input impedance. An open circuit in the field presents a high impedance to the FBM204 to allow alarm conditions to be monitored.

ISTA-204-BPTIO-FD RTD/thermocouple/mV Input, 4 to 20 mA Output Interface Board, HART-Compatible, Line Fault Detection

ISTA-204-BPTIO-FD is fitted with four 1-channel HiD2037 modules and four 2-channel HiD2082 modules. It is prepared for mounting a FBM204 module.

Mounting Station A to D:

The HiD2082 converter converts input signals of resistance temperature measurement sensors (RTD), several thermocouples or remote transducers from the hazardous area into an isolated analog current signal of 4 to 20 mA. The 4 to 20 mA signal is the input signal of the FBM204.

Supported RTD's are Pt100 and Ni100 in 2-, 3- or 4-wire technology. Supported thermocouples are types B, E, J, K, L, N, R, S and T. The parameterization occurs via software (for example, PACTware™).

The output is isolated from the input and the power supply. The FBM204 processes only data from the first channel of the HiD2082 module.

Mounting Station E to H:

The HiD2037 repeats a 4 to 20 mA input signal from the FBM204 module to drive I/P converters, electro valve actuators and displays located in a hazardous area. HiD2037 was developed especially for use with the HART compatible field devices. A fault output reports a broken wire or short circuit via the fault output.

Bi-directional communication with HART compatible actuators is possible via the 37-pin HART Connector.

ISTA-207b-BPDI-FD - Voltage Monitor/Contact Sense Input Interface Board

ISTA-207b-BPDI-FD is fitted with eight 2-channel HiD2822 modules. HiD2822 records the status of a voltage-free contact or proximity sensor in the hazardous area and reports the status via a relay output to the FBM207b module. Line fault monitoring turns off the output relay and sends an alarm indicating broken line or short circuit via an LED and fault output.

ISTA-211-BPAI - 4 to 20 mA Input Interface Board, HART-Compatible

ISTA-211-BPAI is fitted with eight 2-channel HiD2026 modules and prepared for mounting a FBM211 module. The HiD2026 provides a fully floating supply to power two 2-wire transmitters in a hazardous area. It repeats the measurement current in the safe area. The outputs are galvanically isolated from the inputs and are referenced to the power supply return (common). Bi-directional communication with HART compatible actuators is possible via the 37-pin HART Connector.

ISTA-211-BPAI-3W - 4 to 20 mA Input Interface Board, HART-Compatible

ISTA-211-BPAI-3W is fitted with eight 2-channel HiD2030 modules. The HiD2030 provides a fully floating supply to power two 2- or 3-wire transmitter in a hazardous area, repeating the current to the FBM211. Bi-directional communication with HART transmitters is possible via the 37-pin HART Connector.

The output are isolated from the inputs and the power supply. The different outputs are separated from each other. A separate fault output indicates if an input signal is outside the range 0.2 to 24 mA.

ISTA-211-BPTI - RTD/Thermocouple/mV Input Interface Board

ISTA-211-BPTI is fitted with eight 2-channel HiD2082 modules and prepared for mounting a FBM211 module. The HiD2082 converter converts input signals of resistance temperature measurement sensors (RTD), several thermocouples or remote transducers from the hazardous area into an isolated analog current signal of 4 to 20 mA. The 4 to 20 mA signal is the input signal of the FBM211.

Supported RTD's are Pt100 and Ni100 in 2-, 3- or 4-wire technology. Supported thermocouples are types B, E, J, K, L, N, R, S and T. The parameterization occurs via software (for example, PACTware™). The output are isolated from the inputs and the power supply.

ISTA-214-BPHI - HART-Communication, 4 to 20 mA Input Interface Board

ISTA-214-BPHI is fitted with eight 1-channel HiD2025 modules and prepared for mounting a FBM214 module. The HiD2025 provides a fully floating supply to power a 2-wire transmitter in a hazardous area. It repeats the measurement current in the safe area. The output is galvanically isolated from the input and referenced to the power supply return (common).

ISTA-214-BPHI-FD - HART-Communication, 4 to 20 mA Input Interface Board, Line Fault Detection

ISTA-214-BPHI-FD is fitted eight 1-channel HiD2029 modules and prepared for mounting a FBM214 module. The HiD2029 provides a fully floating supply to power a two or three wire transmitter in a hazardous area, repeating the current to the FBM214.

The output is isolated from the input and the power supply, and different outputs are separated from each other. A separate fault output indicates if the input signal is outside the range 0.2 to 24 mA.

ISTA-215-BPHO-FD - HART Communication 4 to 20 mA Output Interface Board, Line Fault Detection

ISTA-215-BPHO-FD is fitted with eight 1-channel HiD2037 modules and prepared for mounting a FBM215 module. The HiD2037 repeats a 4 to 20 mA input signal from the FBM215 module to drive I/P converters, electro valve actuators and displays located in a hazardous area. HiD2037 was developed especially for use with the HART compatible field devices. A fault output reports a broken wire or short circuit via the fault output.

ISTA-217-BPDI-FD - Discrete Input Interface Board, Line Fault Detection

ISTA-217-BPDI-FD is fitted with eight 4-channel HiD2844 modules and prepared for mounting a FBM217 module. HiD2844 records the status of a voltage-free connection or proximity sensor in the hazardous area and reports the status via an open collector output to the FBM217 module. Line fault monitoring turns off the output relay and sends an alarm indicating broken line or short circuit via an LED and fault output.

ISTA-237-BPAO - 4 to 20 mA Output Interface Board

ISTA-237-BPAO is fitted with eight 1-channel HiD2031 modules and prepared for mounting a FBM237 module. The HiD2031 output repeater repeats a 4 to 20 mA input signal from the FBM237 module to drive an I/P converter, control valve or display that is located in the hazardous area. The HiD2031 has a low input impedance. An open circuit in the field presents a high impedance to the FBM237 to allow alarm conditions to be monitored.

ISTA-237-BPAO-FD - 4 to 20 mA Output Interface Board, HART-Compatible, Line Fault Detection

ISTA-237-BPAO-FD is fitted with eight 1-channel HiD2037 modules and prepared for mounting a FBM237 module. The HiD2037 output repeater repeats a 4 to 20 mA input signal from the FBM237 module to an I/P converter, control valve or display that is located in the hazardous area. HiD2037 was developed especially for use with the HART compatible actuators. Bi-directional communication is possible via the 37-pin HART Connector.

A fault output reports a broken wire or short circuit on the field side.

ISTA-241c-BPDIO - Discrete I/O Interface Board

ISTA-241c-BPDIO is fitted with four 2-channel HiD2822 modules and four 2-channel HiD2872 modules and prepared for mounting a FBM241c module.

Mounting station A to D:

HiD2822 records the status of a voltage-free connection or proximity sensor in the hazardous area and reports the status via a relay output to the FBM241c module. Line fault monitoring turns off the output relay and sends an alarm indicating broken line or short circuit via an LED and fault output.

Mounting station E to H:

HiD2872 switches intrinsically safe solenoid valves, alarms, displays or LED displays in the hazardous area and is controlled by the outputs of the FBM241c module.

ISTA-241c-BPDIO-FD - Discrete I/O Interface Board, Line Fault Detection

ISTA-241c-BPDIO-FD is fitted with four 2-channel HiD2822 modules and four 2-channel HiD2872 modules and prepared for mounting a FBM241c module.

Mounting Station A to D:

HiD2822 records the status of a voltage-free connection or proximity sensor in the hazardous area and reports the status via a relay output to the FBM241c module. Line fault monitoring turns off the output relay and sends an alarm indicating broken line or short circuit via an LED and fault output.

Mounting Station E to H:

HiD2872 switches intrinsically safe solenoid valves, alarms, displays or LED displays in the hazardous area and is controlled by the outputs of the FBM241c module. A fault output reports a broken wire or short circuit.

ISTA-242-BPDO - Externally Sourced Discrete Output Interface Board

ISTA-242-BPDO is fitted with eight 2-channel HiD2876 modules and prepared for mounting a FBM242 module. HiD2876 switches intrinsically safe solenoid valves, alarms, displays or LED displays in the hazardous area and is controlled by a binary signal from the FBM242 module.

ISTA-242-BPDO-FD - Externally Sourced Discrete Output Interface Board, Line Fault Detection

ISTA-242-BPDO-FD is fitted with eight 2-channel HiD2872 modules and prepared for mounting a FBM242 module. HiD2872 switches intrinsically safe solenoid valves, alarms, displays or LED displays in the hazardous area and is controlled by a binary signal from the FBM 242 module. The fault output reports a broken wire or short circuit.

Redundant

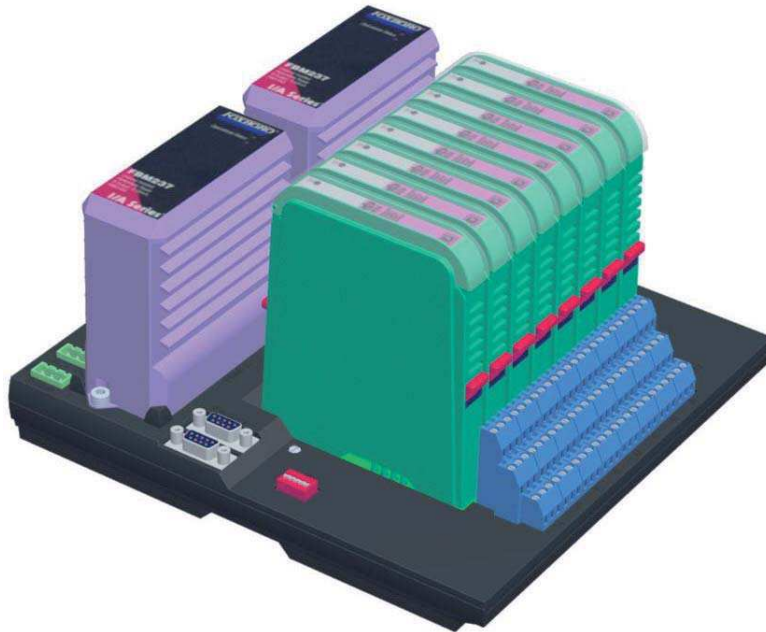


Figure 1-10. ISTA-2XXy-BPYY-R Redundant

ISTA-216-BPHI-R - Redundant 4 to 20 mA Input Interface Board, HART Communication

ISTA-216-BPHI-R is fitted with eight 1-channel HiD2025 modules and prepared for mounting two FBM216 modules. The HiD2025 provides a fully floating supply to power a 2-wire transmitter in a hazardous area. It repeats the measurement current in the safe area. The output is galvanically isolated from the input and referenced to the power supply return (common).

ISTA-216-BPHI-FD-R - Redundant 4 to 20 mA Input Interface Board, HART Communication, Line Fault Detection

ISTA-216-BPHI-FD-R is fitted with eight 1-channel HiD2029 modules and prepared for mounting two FBM216 modules. The HiD2029 provides a fully floating supply to power a two or three wire transmitter in a hazardous area, repeating the current to the FBM216.

The output is isolated from the input and the power supply, and different outputs are separated from each other. A separate fault output indicates if the input signal is outside the range 0.2 to 24 mA.

ISTA-218-BPHO-FD-R - Redundant 4 to 20 mA Output Interface, HART Communication, Board, Line Fault Detection

ISTA-218-BPHO-FD-R is fitted with eight 1-channel HiD2037 modules and prepared for mounting two FBM218 modules. The HiD2037 repeats a 4 to 20 mA input signal from the FBM218 modules to drive I/P converters, electro valve actuators and displays located in a hazardous area. HiD2037 was developed especially for use with the HART compatible field devices. A fault output reports a broken wire or short circuit via the fault output.

ISTA-237-BPAO-R - Redundant 4 to 20 mA Output Interface Board

ISTA-237-BPAO-R is fitted with eight 1-channel HiD2031 modules and prepared for mounting two FBM237 modules. The HiD2031 output repeater repeats a 4 to 20 mA input signal from the FBM237 modules to an I/P converter, control valve or display that is located in a hazardous area. The HiD2031 has a low input impedance. An open circuit in the field presents a high impedance to the FBM237 to allow alarm conditions to be monitored.

ISTA-237-BPAO-FD-R - Redundant 4 to 20 mA Output Interface Board, Line Fault Detection, HART-Compatible

ISTA-237-BPAO-FD is fitted with eight 1-channel HiD2037 modules and prepared for mounting two FBM237 modules. The HiD2037 repeats a 4 to 20 mA input signal from the FBM237 module to drive I/P converters, electro valve actuators and displays located in a hazardous area. HiD2037 was developed especially for use with the HART compatible field devices. A fault output reports a broken wire or short circuit via the fault output.

Dual

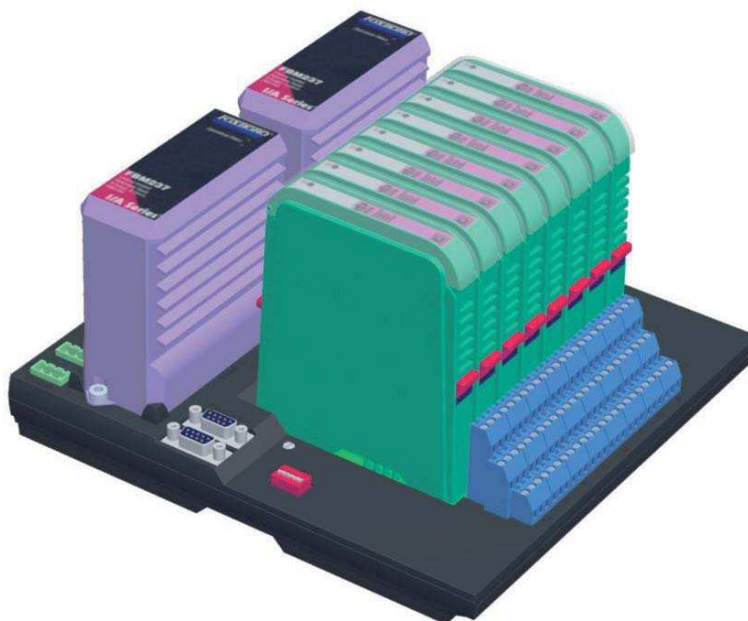


Figure 1-11. ISTA-2XXy-BPYY-D Dual

ISTA-201-BPAI-D - 4 to 20 mA Input Interface Board, HART-Compatible

ISTA-201-BPAI-D is fitted with eight 2-channel HiD2026 modules and prepared for mounting two FBM201 modules. The HiD2026 provides a fully floating supply to power two 2-wire transmitter located in a hazardous area. It repeats the measurement current in the safe area. The output is galvanically isolated from the input and referenced to the power supply return (common).

Bi-directional communication with a HART transmitter is possible via the 37-pin HART plug.

ISTA-201-BPAI-FD-D - 4 to 20 mA Input Interface Board, HART-Compatible, Line Fault Detection

ISTA-201-BPAI-FD-D is fitted with eight 2-channel HiD2030 modules and prepared for mounting two FBM201 modules. The HiD2030 provides a fully floating supply to power two 2-wire transmitter in a hazardous area. It repeats the measurement current in the safe area. The output is galvanically isolated from the input and referenced to the power supply return (common).

Bi-directional communication with a HART transmitter is possible via the 37-pin HART plug.

The output is isolated from the input and the power supply. A separate fault output indicates if the input signal is outside the range 0.2 to 24 mA.

ISTA-201-BPTI-D - RTD/Thermocouple/mV Interface Board

ISTA-201-BPTI-D is fitted with eight 2-channel HiD2082 modules and prepared for mounting two FBM201 modules. The HiD2082 is a 2-channel converter to convert input signals of resistance temperature measurement sensors (RTDs), several thermocouples or remote transducers from the hazardous area into an isolated analog current signal of 4 to 20 mA. The 4 to 20 mA signal is the input signal of the FBM201.

Supported RTD's are Pt100 and Ni100 in 2-, 3-, or 4-wire technology. Supported thermocouples are types B, E, J, K, L, N, R, S and T. The parameterization occurs via software (for example, PACTwareTM). The output is isolated from the input and the power supply.

ISTA-204-BPAIO-D - 4 to 20 mA I/O Interface Board, HART-Compatible

ISTA-204-BPAIO-D is fitted with four 2-channel HiD2026 modules and four 2-channel HiD2032 modules. It is prepared for mounting two FBM204 modules.

Mounting Station A, B and E, F:

The HiD2026 provides a fully floating supply to power two 2-wire transmitters in a hazardous area. It repeats the measurement current in the safe area. The output is galvanically isolated from the input and referenced to the power supply return (common). Bi-directional communication with a HART transmitter is possible via the 37-pin HART plug.

Mounting Station C, D and G, H:

The HiD2032 is a 2-channel output repeater and repeats a 4 to 20 mA input signal from a control system to an I/P converter, control valve or display that is located in the hazardous area. The HiD2032 has a low input impedance. An open circuit in the field presents a high impedance to the FBM204 to allow alarm conditions to be monitored.

ISTA-204-BPAIO-FD-D - 4 to 20 mA I/O Interface Board, HART-Compatible, Line Fault Detection

ISTA-204-BPAIO-FD-D is fitted with four 2-channel HiD2026 modules and four 2-channel HiD2038 modules. It is prepared for mounting two FBM204 modules.

Mounting Station A, B and E, F:

The HiD2026 provides a fully floating supply to power two 2-wire transmitter in a hazardous area. It repeats the measurement current in the safe area. The output is galvanically isolated from the input and referenced to the power supply return (common).

Mounting Station C, D and G, H:

The HiD2038 is a 2-channel output repeater and repeats a 4 to 20 mA input signal from the FBM204 module to drive I/P converters, electro valve actuators and displays located in a hazardous area. The HiD2038 was developed especially for the use with the HART compatible field devices. A fault output reports a lead breakage or short circuit via the fault output.

Bi-directional communication with HART transmitters or HART compatible actuators is possible via the 37-pin HART plug.

ISTA-204-BPTIO-D - RTD/Thermocouple/mV Input, 4 to 20 mA Output Interface Board

ISTA-204-BPTIO-D is fitted with four 2-channel HiD2032 modules and four 2-channel HiD2082 modules. It is prepared for mounting two FBM204 modules.

Mounting Station A, B and E, F:

The HiD2082 is a 2-channel converter to convert input signals of resistance temperature measurement sensors (RTDs), several thermocouples or remote transducers from the hazardous area into an isolated analog current signal of 4 to 20 mA. The 4 to 20 mA signal is the input signal of the FBM204.

Supported RTD's are Pt100 and Ni100 in 2-, 3-, or 4-wire technology. Supported thermocouples are types B, E, J, K, L, N, R, S and T. The parameterization occurs via software (for example, PACTware™).

The output is isolated from the input and the power supply.

Mounting Station C, D and G, H:

The HiD2032 is a 2-channel output repeater and repeats a 4 to 20 mA input signal from a control system to an I/P converter, control valve or display that is located in the hazardous area. The HiD2032 has a low input impedance. An open circuit in the field presents a high impedance to the FBM204 to allow alarm conditions to be monitored.

ISTA-204-BPTIO-FD-D - RTD/Thermocouple/mV Input, 4 to 20 mA Output Interface Board, HART-Compatible, Line Fault Detection

ISTA-204-BPTIO-FD-D is fitted with four 2-channel HiD2038 modules and four 2-channel HiD2082 modules. It is prepared for mounting two FBM204 modules.

Mounting Station A, B and E, F:

The HiD2082 is a 2-channel converter to convert input signals of resistance temperature measurement sensors (RTDs), several thermocouples or remote transducers from the hazardous area into an isolated analog current signal of 4 to 20 mA. The 4 to 20 mA signal is the input signal of the FBM204.

Supported RTD's are Pt100 and Ni100 in 2-, 3-, or 4-wire technology. Supported thermocouples are types B, E, J, K, L, N, R, S and T. The parameterization occurs via software (for example, PACTware™).

The output is isolated from the input and the power supply.

Mounting Station C, D and G, H:

The HiD2038 is a 2-channel output repeater and repeats a 4 to 20 mA input signal from the FBM204 module to drive I/P converters, electro valve actuators and displays located in a hazardous area. The HiD2038 was developed especially for the use with the HART compatible field devices. A fault output reports a broken wire or short circuit via the fault output.

Bi-directional communication with HART transmitters or HART compatible actuators is possible via the 37-pin HART plug.

ISTA-214-BPHI-D - HART-Communication, 4 to 20 mA Input Interface Board

ISTA-214-BPHI-D is fitted with eight 2-channel HiD2026 modules and prepared for mounting two FBM214 modules. The HiD2026 provides a fully floating supply to power two 2-wire transmitter in a hazardous area. It repeats the measurement current in the safe area. The outputs are galvanically isolated from the inputs and referenced to the power supply return (common).

ISTA-214-BPHI-FD-D - HART-Communication, 4 to 20 mA Input Interface Board, Line Fault Detection

ISTA-214-BPHI-D is fitted with eight 2-channel HiD2030 modules and prepared for mounting two FBM214 modules. The HiD2030 provides a fully floating supply to power two 2-wire transmitter in a hazardous area. It repeats the measurement current in the safe area. The outputs are galvanically isolated from the inputs and referenced to the power supply return (common). A fault output reports a broken wire or short circuit via the fault output.

ISTA-215-BPHO-FD-D - HART-Communication, 4 to 20 mA Output Interface Board, Line Fault Detection

ISTA-215-BPHO-FD-D is fitted with eight 2-channel HiD2038 modules and prepared for mounting two FBM215 modules. The HiD2038 repeats a 4 to 20 mA input signal from the FBM215 module to drive I/P converters, electro valve actuators and displays located in a hazardous area. HiD2038 was developed especially for use with the HART compatible field devices. A fault output reports a broken wire or short circuit via the fault output.

2. Enclosure Installation

*This chapter consists of installation information for the ISTA-*BP* enclosures.*

I/O Cabinet

The following points should be noted when selecting and setting up the I/O cabinet.

— ⚠ CAUTION —

Read “Safety Consideration” on page 2 and the safety instructions of the I/O cabinet manufacturer and observe them during planning, installation and setting up.

The protection class of ISTA-*BP* corresponds to IP 20 in accordance with IEC/EN 60529. In the case of adverse ambient conditions, it must be installed appropriately in a Cabinet with a higher protection class.

— ⚠ CAUTION —

If the installation is performed in Division2/Zone 2 hazardous area, Cabinets with a protection class of IP 54 or higher in accordance with IEC/EN 60529 must be used.

— NOTE —

A high installation density of ISTA-*BP*s, two position baseplates and power supplies requires forced air ventilation in the cabinet. The necessary protection class of the cabinet must be taken into consideration in designing the ventilation!

For more detailed information related to determining heat dissipation and the design of forced air ventilation, please refer to the user's manual *Series H-System - Intrinsic Safety Isolators* (www.pepperl-fuchs.com) and *DIN Rail Mounted Subsystem User's Guide (B0400FA)*.

Installation of the ISTA-*BP*s enclosures involves mounting the enclosure on the floor or on a wall at the desired location, and making the required power and earthing (grounding) connections.

! WARNING

To prevent the hazard of electrical shock and signal interference, high voltage main power cables (those carrying 30 V rms or greater, or 60 V dc or greater) must be kept separate from low voltage signal cables (those carrying less than 30 V rms, or less than 60 V dc). Separate conduit, cable runs, and so forth, must be used, as well as separate cable entries into the enclosure. The minimum allowable separation between high and low voltage cables is 50 mm (2 in) at all points in the cable run. Also IS and non-IS cables must be separated. Minimum distance between the cables is 50 mm (2 in).

Also refer to B0700AU for Power, Earthing (Grounding), EMC and CE Compliance.

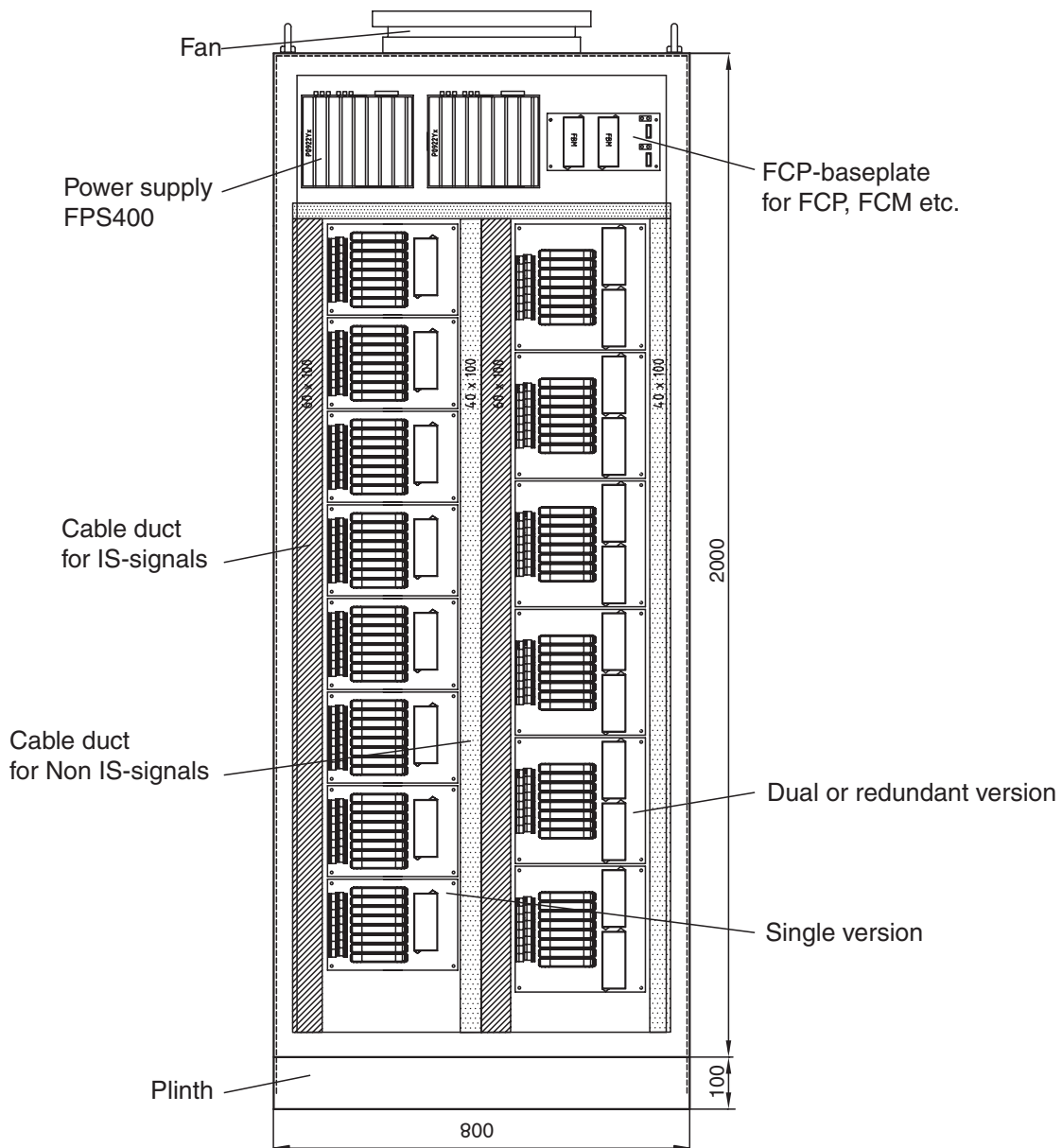


Figure 2-1. I/O Cabinet Layout

Preinstallation Procedures

The following procedures provide general information regarding unloading and unpacking of all ISTA-*BP* equipment, and performing checks on the power network to be used by the equipment.

Unloading

ISTA-*BP*s are designed to withstand vibration and shock normally encountered during shipping and installation; however, extreme shocks and vibration should be avoided. If practical, all major movements of the units should be accomplished before the units are unpacked.

Unpacking

The following unpacking procedure applies, in general, to all ISTA-*BP* units:

1. Inspect the exterior of the shipping carton for obvious damage. (Any noticeable damage should be indicated in the shipper's bill of lading.)
2. Verify that the equipment received is that described in the bill of lading.
3. Remove shipping straps, shipping shroud, and other packing materials, such as polyethylene bags and styrofoam cushioning materials.

— **NOTE** —

If you anticipate that the unit will be stored, or shipped from the present site, save all packing materials for reuse.

4. If the unit is attached to a skid, remove all shipping hardware and hold-down bolts used to fasten the unit to the skid. Separate the skid from the unit.
5. Ensure that the appropriate interconnecting cables are present, by comparing the cable part numbers and quantities with those listed in the bill of lading.

Subsystem Power Checks

Perform the following checks before installing the equipment:

1. Check that the required ac or dc power distribution network lines are installed.
2. Check that the appropriate number of ac power outlets (if required) are installed and spaced appropriately.
3. Switch on main system power and, using a multimeter, check that the appropriate operating voltage exists at each enclosure connection point before applying power to the equipment.

3. Equipment Installation

This chapter consists of installation information for the equipment: power supplies, baseplates, modules (FBMs and H-Systems).

Baseplate Installation

As illustrated in Figure 3-1 mechanical support is required for DIN rail mounting of ISTA-*BP*. This support, required for all mounting configurations of ISTA-*BP*, can be in the form of metal braces, a backplate, or a wall. The added support prevents unnecessary movement or twisting motion of the DIN rail/ISTA-*BP* combination.

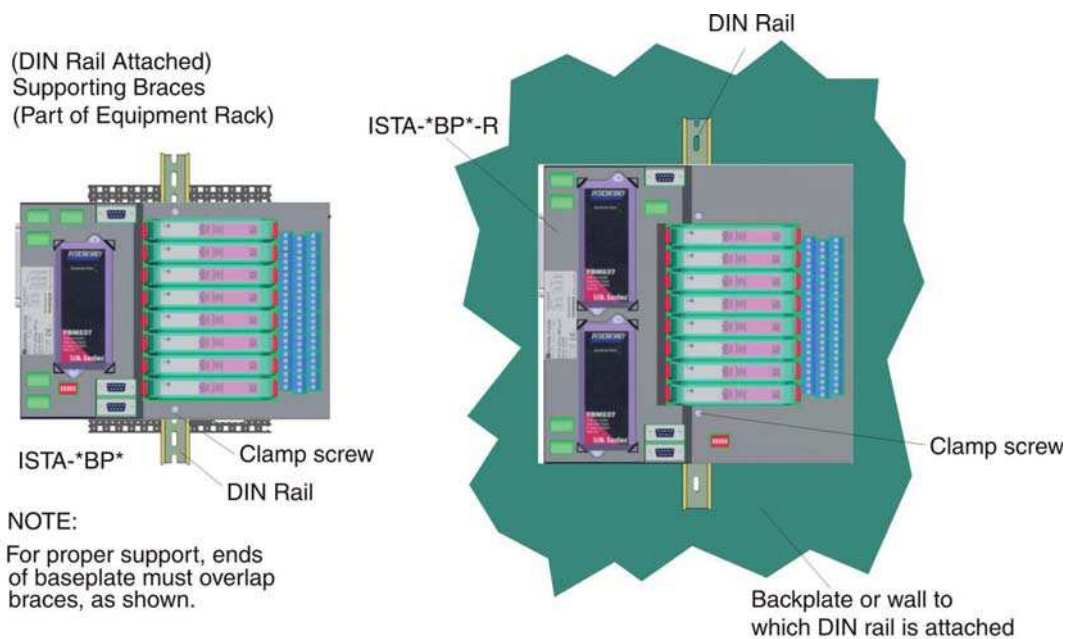


Figure 3-1. Required Support for ISTA-*BP* with Horizontal DIN Rail Mounting

To install the ISTA-*BP* on a structurally supported DIN rail, proceed as follows:

1. If necessary, plug the spacing supports into the bore holes.
2. Position the ISTA-*BP* with the two clamps suspended over the DIN rail on the back. See Figure 3-2.
3. Align the ISTA-*BP* on the DIN rail and fasten it in place on the DIN rail with the two clamp screws on top of the Baseplate. See Figure 3-1.

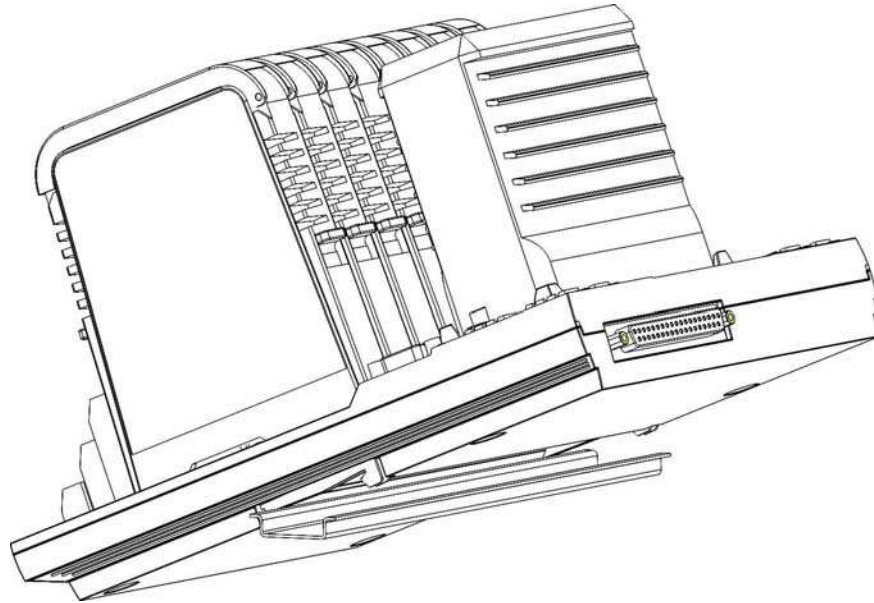


Figure 3-2. Mounting of ISTA-*BP* on DIN Rail

To remove an ISTA-*BP* from the DIN rail, proceed as follows:

1. Remove all cabling from ISTA-*BP*.
2. Loosen the two screws, turning them ten turns counterclockwise. “Float” the baseplate on the DIN rail and gently move it top-to-bottom while moving it toward you, causing the clamps to disengage from the DIN rail.

Installation of Modules (FBM, H-System)

Fieldbus Modules

Fieldbus Modules (FBMs) are installed as shown in Figure 3-3. The following subsections present rules regarding placement of the FBMs on the baseplate.

To install any module, proceed as follows:

1. Press the module in place on the baseplate (engaging the two connectors at the rear of the module with those on the baseplate).
2. Tighten the two self retaining hex screws on the module using a hex driver tool (Foxboro part number X0179AZ).

! CAUTION

1. When installing the modules on the baseplate, use a 4mm (5/32") hex driver tool (Foxboro P/N X0179AZ). If another type of tool must be used, make sure that it does not generate more than 12 inch/pounds of torque, or you might strip the threaded inserts out of the baseplate.
 2. The modules must be screwed in place for secure operation. Do not rely on the signal connectors to hold the modules in place.
 3. For safety reasons, always consider the possible impact on plant operations before removing a module from the baseplate.
-

NOTE

Modules can be removed/replaced while power is applied to the baseplate without damaging the module or baseplate electronics.



Figure 3-3. Mounting of FBM on ISTA-*BP*

H-System Modules

The quick fastening method of H-System Modules does not require any tools.

To mount the module, proceed as follows:

1. Check the coding of mounting station and module.
2. Plug the H-System Module into the mounting plate.
3. Press down the (red) tabs on either side of the module.

To dismount the module, proceed as follows:

1. Pull the tabs up to release the lock.
2. Pull the H-System Modules out of the mounting station.

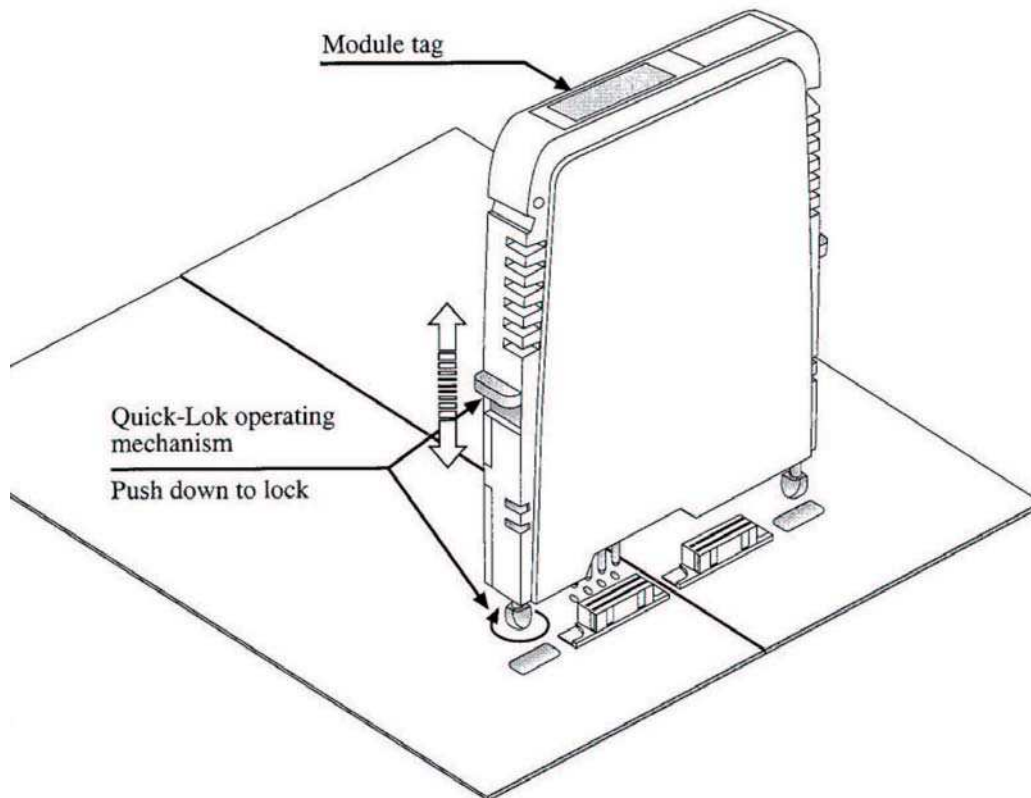


Figure 3-4. Mounting of H-System Modules on ISTA-BP*

Power Supply, Mounting and Installation

One primary and, if desired, a second power supply must be built into the cabinet for the power supply of the ISTA-*BP*. The enclosures use the Foxboro Power Supply as described in the following paragraphs.

Foxboro Power Supply (FPS400-24)

The Model FPS400-24 is a 400 W power supply (see Figure 3-5) that is agency certified for use in Division 2 and Zone 2 applications. Two different input voltage power supplies are offered as follows:

- ◆ 120/240 V ac or 125 V dc input (P0922YU)
- ◆ 24 V dc input (P0922YC).

— NOTE —

Refer to DIN Rail Mounted Subsystem User's Guide (B0400FA) for information on mounting and installing previous versions of the power supply, for example, P0917LY, P0904HX, P0904HV, and P0904HW.



Figure 3-5. Foxboro DIN Rail Mounted FBM Subsystem Equipment Power Supply

Typically, the power supply mounts on a DIN rail in the enclosure. Since the power supply is convection cooled, the power supply must be positioned in the enclosure with the clearances shown in Figure 3-7.

— NOTE —

The current requirement of the individual components of the fieldbus system must be used to determine the power supply requirements.

For the current requirement of the individual modules, please refer to the following documents.

- ◆ For FBMs etc, *DIN Rail Mounted Subsystem User's Guide (B0400FA)*
- ◆ H-System - Series H-System Intrinsic Safety Isolators Instructions Manual

Dimensions – Nominal

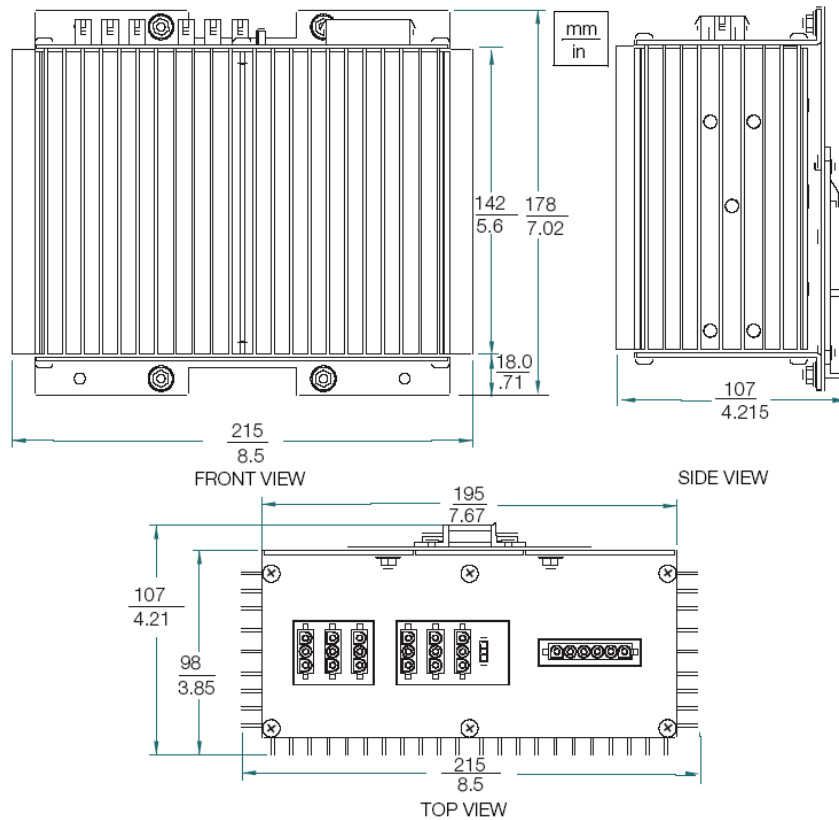


Figure 3-6. Foxboro Power Supply FPS400-24 Dimensions

Clearance – Nominal

The power supply can mount on a horizontal or vertical DIN rail. Use DIN rail clamp (P/N X0175TQ - not shown) below the power supply when mounted on a vertical DIN rail.

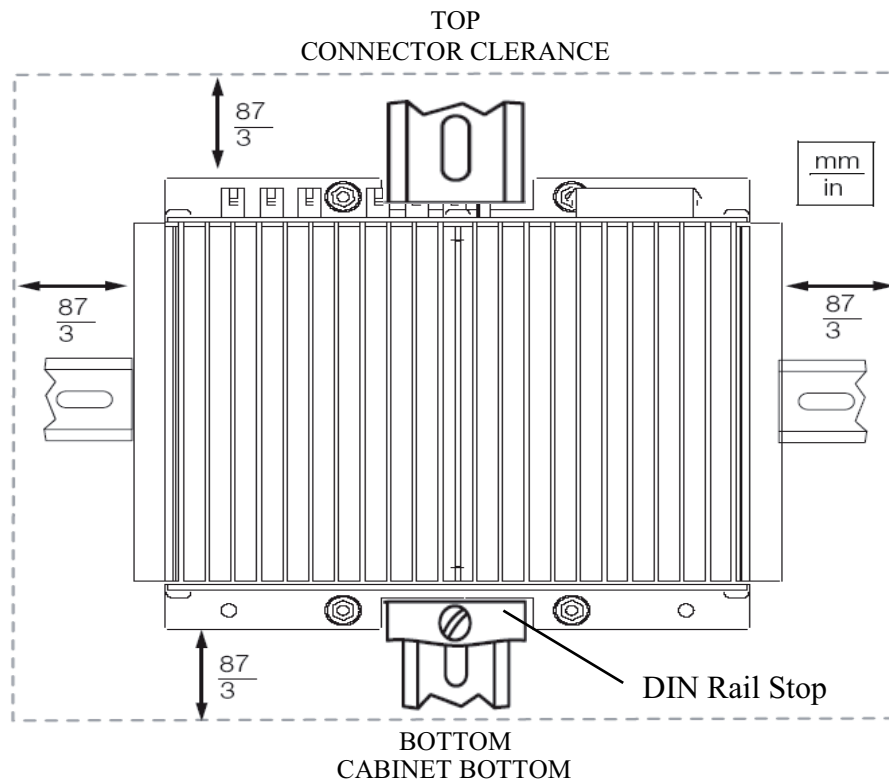


Figure 3-7. Foxboro Power Supply FPS400-24 Clearance Requirements

To wall mount the power supply, proceed as follows:

1. Ensure that the wall mounting or enclosure has holes that line up with the screw holes in the mounting bracket for the power supply.
The mounting bracket screw hole dimensions are shown in Figure 3-8.

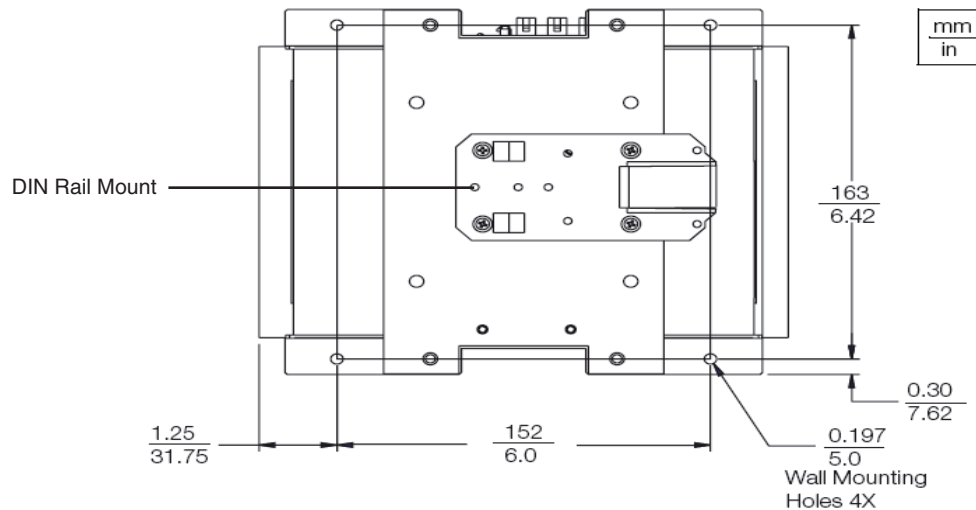


Figure 3-8. Foxboro Power Supply FPS400-24 Wall Mount Bracket Screw Hole Dimensions

2. Align the screw holes in the mounting bracket and attach the bracket to the wall mounting. Use the supplied washers and bolts to mount the bracket
3. Slide the power supply into the mounting bracket.
4. Repeat Steps 1 through 3 for the secondary power supply (if applicable).
5. If DIN rail power terminals are available, remove the cover from the DIN rail mounted terminal strip and snap the terminal strip to the DIN rail. If DIN rail power terminals are not available, you must supply a terminal strip for input power distribution.

To mount the power supply to a DIN rail, proceed as follows:

— NOTE

The FPS400-24 power supply is normally shipped in standard enclosures mounted on a DIN rail.

1. Locate the FPS400-24 in the enclosure using the clearances shown in Figure 3-7.
2. Snap the FPS400-24 onto the DIN rail.
3. Snap the DIN rail stop onto the DIN rail beneath the FPS400-24 (see Figure 3-7 and Figure 3-8) and tighten the screw on the stop.

To remove the FPS400-24 from the DIN rail:

1. Remove the power wiring from the power supply.
2. Loosen the DIN rail stop screw.
3. Remove the DIN rail stop from the DIN rail.
4. Place a screwdriver blade into a slot on the DIN rail mount (see Figure 3-8).
5. Apply pressure between the mount and the DIN rail to disconnect the power supply from the DIN rail.

Factory Mains Power Connections to the Power Supply

To connect the factory mains input connector to the power supply, proceed as follows:

1. Connect the power supply input cable to the terminal strip.
2. Connect the factory mains input connector to the power supply using the connection points shown in Figure 3-9, Figure 3-9, Table 3-1 and Table 3-2.
3. If required, attach a earth (ground) busbar, electrically isolated from the enclosure, to facilitate a separate shield earth (ground) connection for the incoming field I/O cables.

 **CAUTION**

Due to high leakage currents, it is vital that the earthing (grounding) circuit be connected properly. Never operate the system with the grounding conductor disconnected.

Baseplate Power Supply Cabling

Foxboro Power Supply FPS400-24

Power supply cables for connecting to the Foxboro power supply require a Mate-N-Lock plug. Connect the Foxboro power supply output connector(s) as shown in Figure 3-9, Figure 3-10, Table 3-1 and Table 3-2.

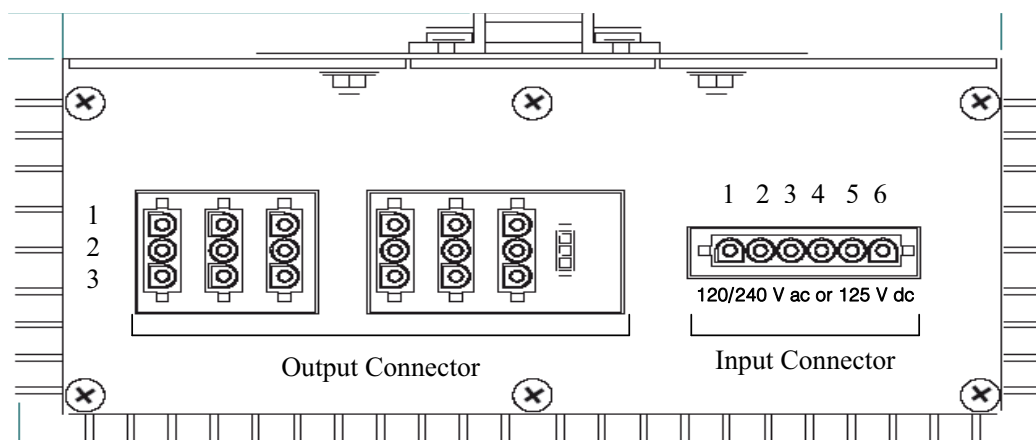


Figure 3-9. Input and Output Power Connector from FPS400-24 to Baseplate Connector for Version P0922YU

Table 3-1. FPS400-24 Input/Output Connectors (P0922YU)

FPS Input Connector	
Pin	Function
1	Line (L1)
2	Neutral (L2)
5	Safety GND
6	Shield

FPS Output Connector		ISTA-*BP* Power	
Pin	Function	Pin	Primary / Secondary
1	Positive 24 V dc output	+	Positive 24 V dc output
2	Negative 24 V dc output	-	Negative 24 V dc output
3	Shield/GND	S	Shield/GND

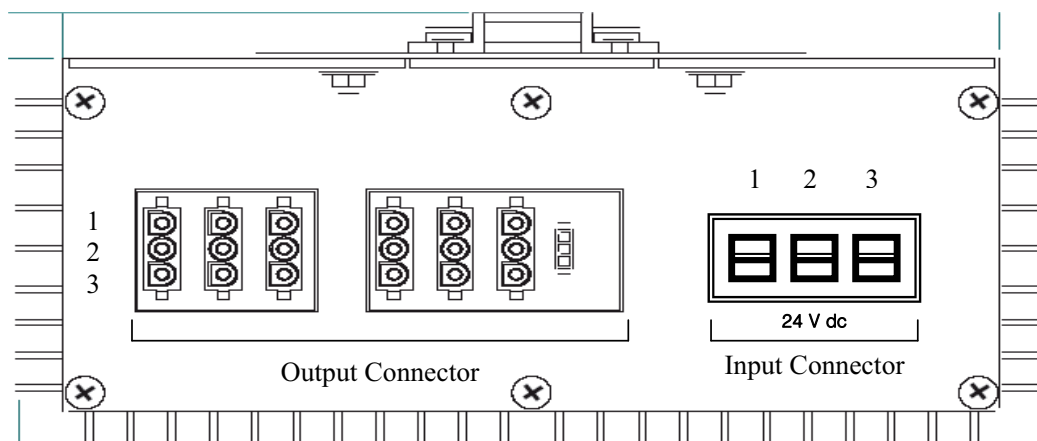


Figure 3-10. Input and Output Power Connector from FPS400-24 to Baseplate Connector for Version P0922YC

Table 3-2. FPS400-24 Input/Output Connectors (P0922YC)

FPS Input Connector	
Pin	Function
1	Positive 24 V dc output
2	Negative 24 V dc output
3	Shield/GND

FPS Output Connector		ISTA-*BP* Power	
Pin	Function	Pin	Primary / Secondary
1	Positive 24 V dc output	+	Positive 24 V dc output
2	Negative 24 V dc output	-	Negative 24 V dc output
3	Shield/GND	S	Shield/GND

***ISTA-*BP** Power Cable Connections**

Each ISTA-*BP* accepts one cable for primary power, and a second cable for secondary power, if applicable. For ease of cable routing, select cables with a slightly greater length than the distance between ISTA-*BP* and the power supply. Powering the ISTA-*BP* involves using the supplied three-pin plugs and using a Foxboro 24 V DC power distribution cable. (Three-pin plugs are included with the ISTA-*BP*, but the power cable is not supplied with the product.)

To connect the Foxboro power supply to the ISTA-*BP*, you will require a cable from Cable Group P0972RN (see Table 3-3). Wire the power supply cable to the three-pin plug as shown in Figure 3-12 and Figure 3-13. Standard Foxboro power supply cable must be field-modified and terminated on the 3-pin plugs.

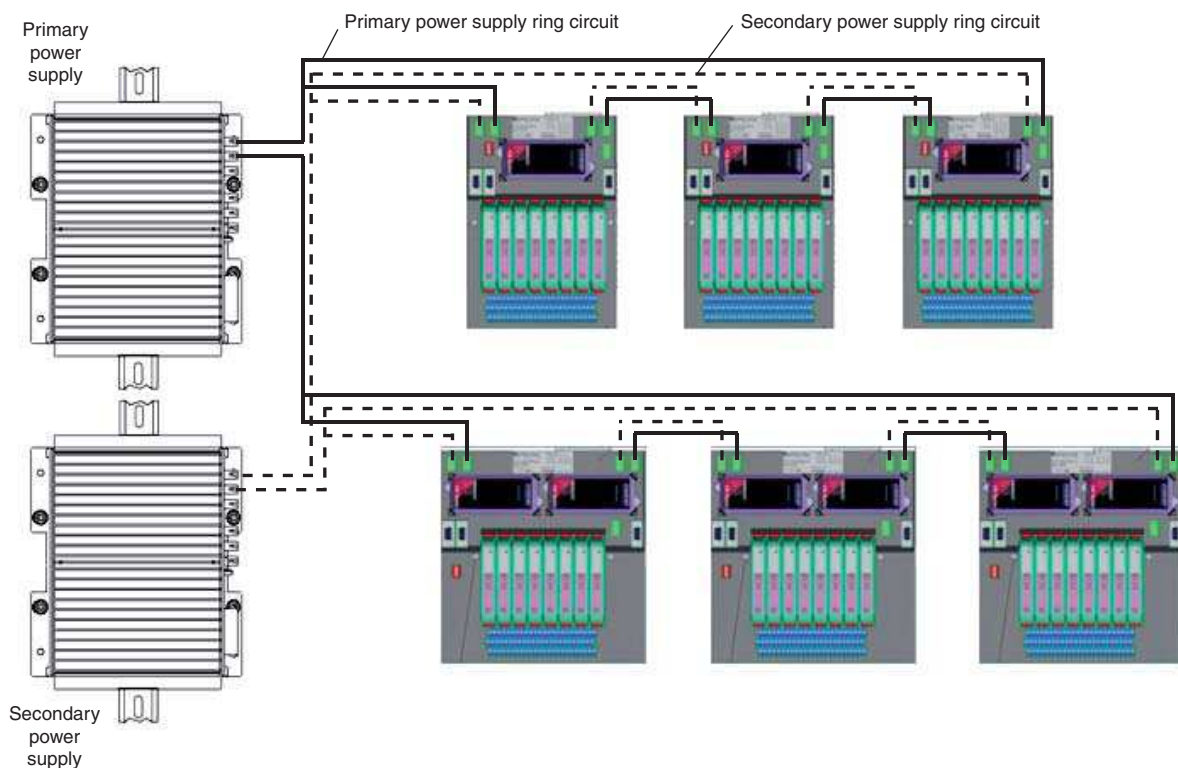


Figure 3-11. FPS400-24 Power Supply Wiring

If your system contains a combination of ISTA-*BP*s and standard Invensys baseplates, the following sections are provided for reference:

- ◆ “24 V DC Power Distribution Cable Group P0972RN” on page 60

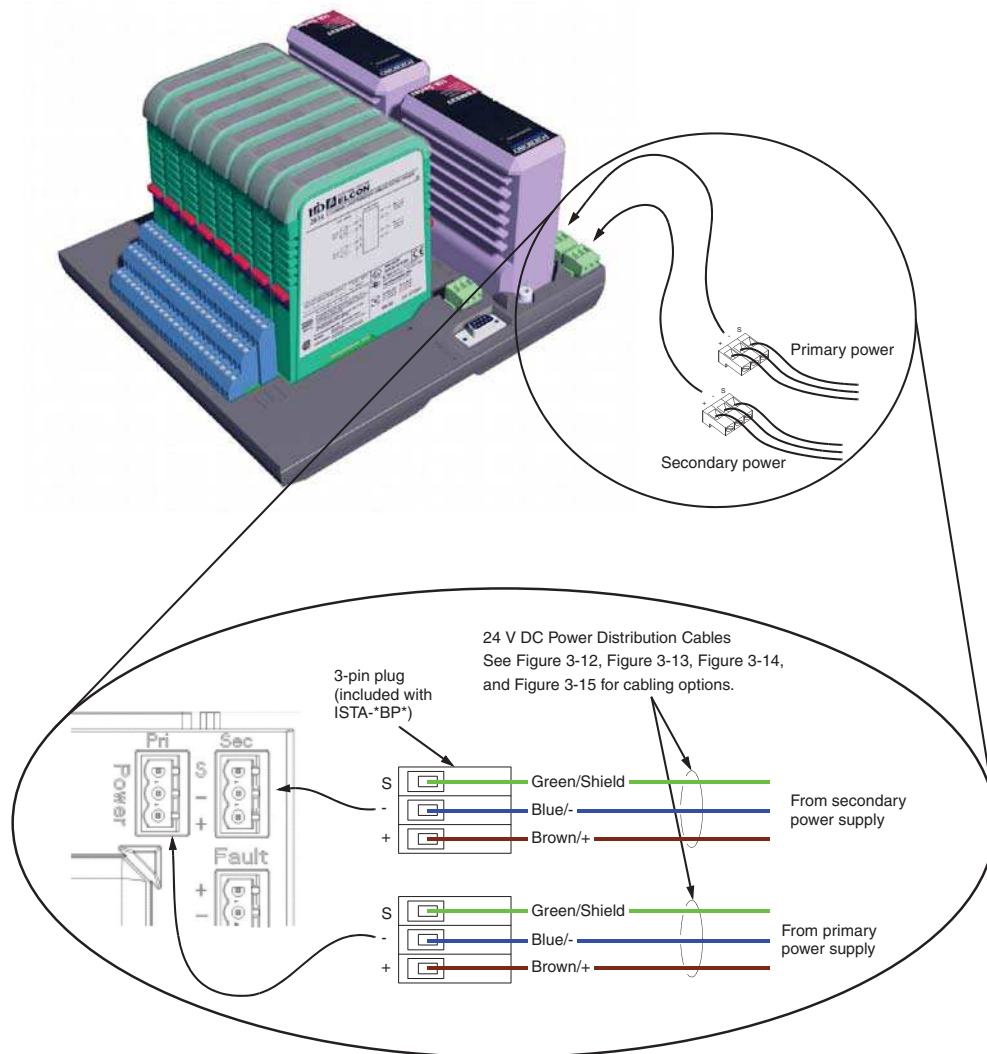
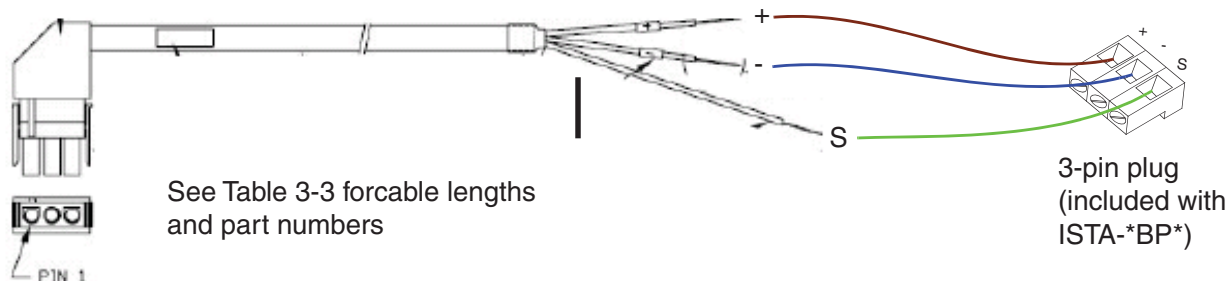


Figure 3-12. Power Supply Cable Connections at ISTA-*BP*

24 V DC Power Distribution Cable Group P0972RN

This section describes the recommended power cable connections between the ISTA-*BP* and the Foxboro power supply. This solution uses “flying lead” output power cables. Cables are 18AWG with integral earth (ground) wires and shield (drain) wires. These cables allow you to configure the ISTA power cable connections to the ISTA supplied mating terminal block. Refer to Table 3-3 for cable lengths.



FPS plug connector pin	Color Coding of Wire	ISTA BP
1	Brown	24 V +
2	Blue	24 V –
3	Green/yellow	Earth (Ground) S
Shield	–	S

Figure 3-13. Recommended Cabling Solution (P0972RN Cable Group)

Table 3-3. P0972RN Cable Group

Part Number	Length
P0922XQ	19.7 in, 0.5 m
P0922XR	39.4 in, 1 m
P0922XS	118 in, 3 m

NOTE

Invensys recommends shielded power cables. These cables should be at least 18AWG or heavier, with integral earth (ground) wires and shield (drain) wires.

ISTA-*BP* HART Multiplexer Connection

Each ISTA-*BP* for analog inputs or analog outputs can be connected to a H-System HART-Multiplexer solution using the HiD Mux 2700 in connection with the HART communication board HIATB01-HART-2x16 (for dual boards supporting 2x 16 channels) or HIATB01-HART-4x08 (for simplex or redundant boards supporting 4x 8 channels). Connection between the HART communication board and the ISTA-*BP* is established by using a standard 37-Pin Sub-D connector.

— NOTE —

This function should not be combined with HART FBM214, 215, 216 and 218) to prevent communication conflicts.

ISTA-*BP* ID Switch Setting and Addressing

Addressing of ISTA-*BP*s is based on the same principle as Invensys Foxboro baseplates; see *DIN Rail Mounted Subsystem (User's guide B0400FA)*.

Up to four groups of ISTA-*BP*, each with up to eight FBMs (up to 32 FBMs total) connect to the 2 Mbps HDLC Module Fieldbus (see Figure 3-16).

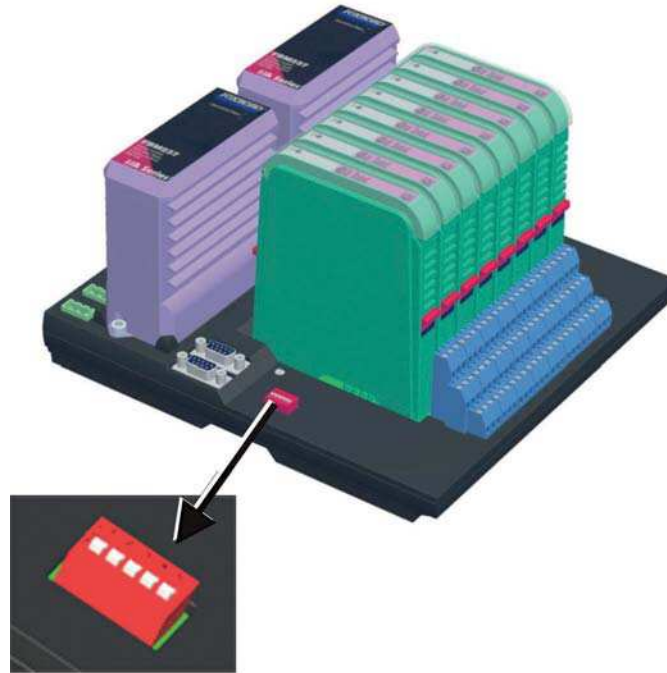
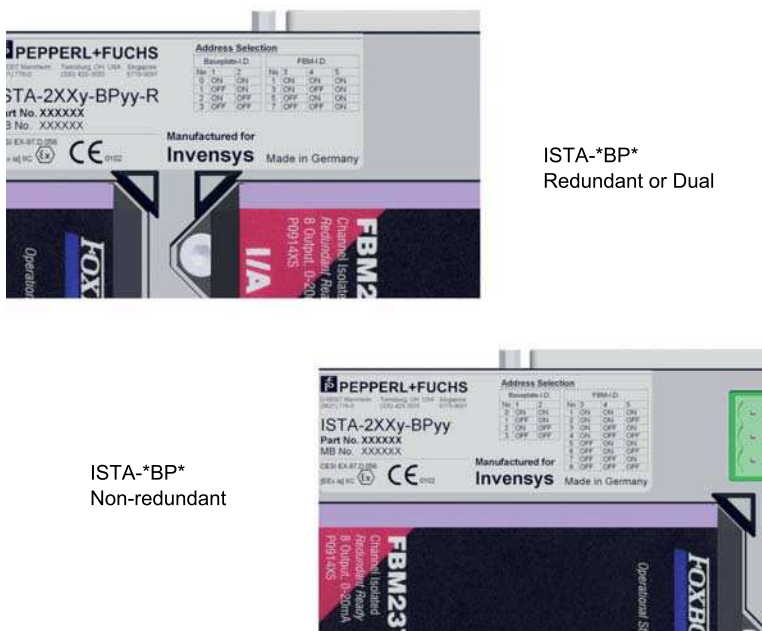


Figure 3-14. ID Switches

Each ISTA-*BP* has a DIP switch array with five switches; see Figure 3-14. You can adjust the number of the group with the first two switches (Table 3-4). Switches 3 to 5 control the addressing of the ISTA-*BP* within the group (Table 3-5).

ISTA-*BP* can be numbered according to their physical placement in the enclosure(s), or according to their positions in the cable connection scheme. However, no two ISTA-*BP* in the grouping may be assigned the same ID number.



ISTA-*BP*
Redundant or Dual

ISTA-*BP*
Non-redundant

Figure 3-15. Addressing a Non-Redundant, Dual or Redundant ISTA-*BP*

A table on the rating plate refers again to this addressing procedure. The Fieldbus segment must be subdivided into groups of no more than eight stations each. Address 1, 3, 5 or 7 of the redundant ISTA-*BP* is assigned to the first FBM. The second FBM automatically contains the next address.

Table 3-4. Setting the Baseplate ID Switches for Non-Redundant ISTA-*BP* Boards

Group ID Number	Switch 1	Switch 2
0	ON	ON
1	ON	OFF
2	OFF	ON
3	OFF	OFF

Table 3-5. Setting the FBM ID Switch for Non-Redundant ISTA-*BP* Boards

ID number	Switch 3	Switch 4	Switch 5
1	ON	ON	ON
2	ON	ON	OFF
3	ON	OFF	ON
4	ON	OFF	OFF
5	OFF	ON	ON
6	OFF	ON	OFF
7	OFF	OFF	ON
8	OFF	OFF	OFF

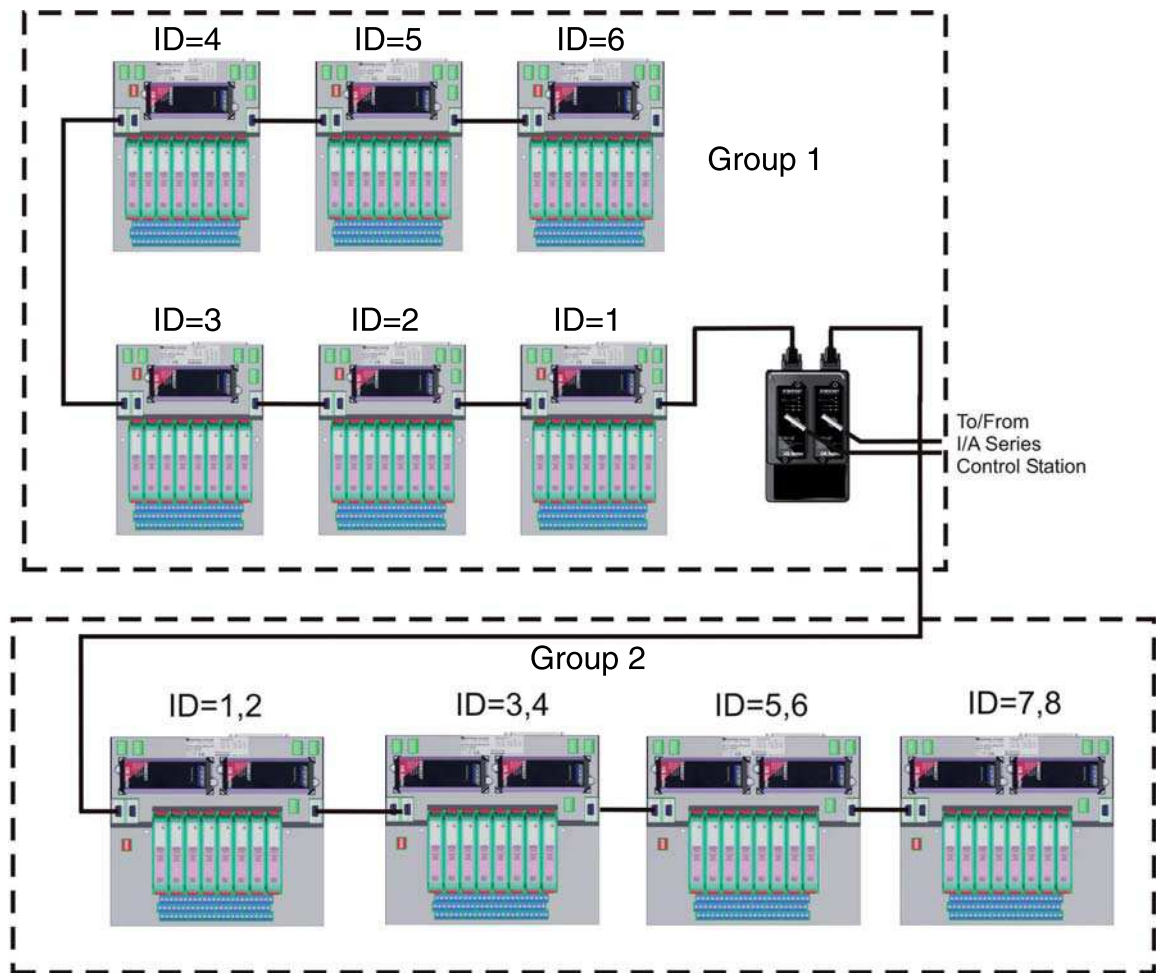


Figure 3-16. Addressing ISTA-^{*}BP^{*} and FCMs

Table 3-6. Setting the Baseplate ID Switches for Dual or Redundant ISTA-^{*}BP^{*} Boards

Group ID Number	Switch 1	Switch 2
0	ON	ON
1	ON	OFF
2	OFF	ON
3	OFF	OFF

Table 3-7. Setting the FBM ID Switch for Redundant ISTA-^{*}BP^{*} Boards

ID number	Switch 3	Switch 4	Switch 5
1	ON	ON	ON
3	ON	OFF	ON
5	OFF	ON	ON
7	OFF	OFF	ON

Ethernet, Fiber Optic, and Module Bus Cable Runs in Hazardous Areas

The module bus, in shielded twisted-pair or fiber optic form, can be run in Division 2/Zone 2 hazardous areas.

4. Field Signal Connections

*This chapter provides information on how to connect the I/O wiring between ISTA-*BP* and the field devices.*

Field Wiring to ISTA-*BP* Connections

⚠ WARNING

To prevent explosion, install and remove cables, wiring, modules and other replaceable components only when area is known to be non-hazardous.

Field wiring connects to the ISTA-*BP*, as illustrated in Figure 4-1:

- ◆ Field wiring attaches to the screw terminals on ISTA-*BP*.

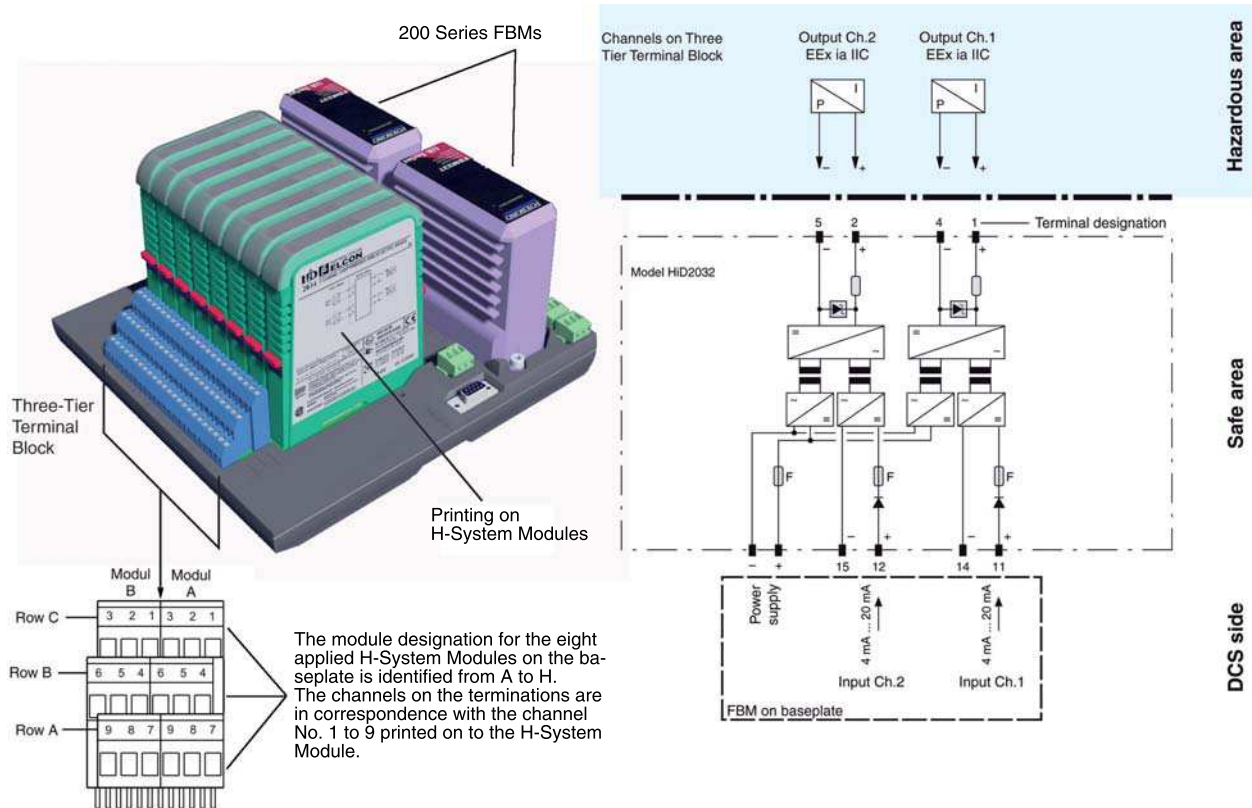


Figure 4-1. Field wiring to ISTA-*BP* Connections showing the terminal blocks per module

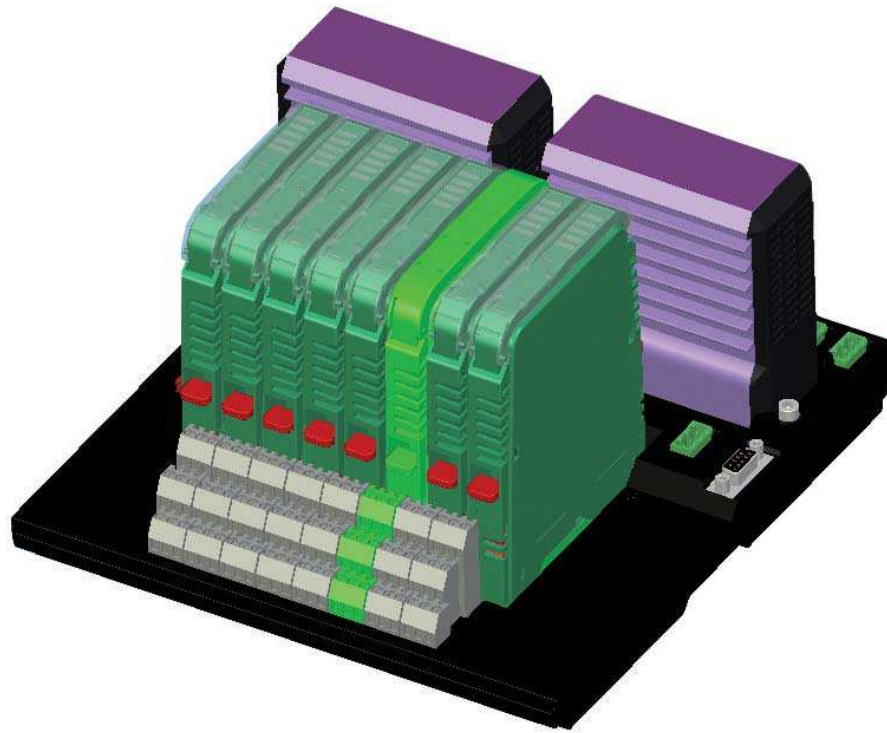


Figure 4-2. Connecting a H-System Module

— ! CAUTION —

The H-System Instruction Manual illustrates how to connect various sensors, actuators and field devices on the terminal blocks of individual H-System Modules. The specified numbers of the module terminals on the field side correspond to the numbers on the ISTA-*BP* terminal blocks.

To make the field I/O connections e. g. to a ISTA-204-BPAIO-D using eight two-channel HiD2032 isolated repeater modules, proceed as follows:

1. Determine to which module and channels on the ISTA-*BP* each field wire must connect. For instance in the above Figure 4-2 the Module on slot C is highlighted.
2. For the terminal assignment of the H-System Module, see the details in Figure 4-1 or please refer to:
 - a. H-System Instruction Manual.
 - b. Printing on the module.
3. The channels 1 to 9 listed in the Instruction Manual or printed on the H-System Module refer to the terminals 1 to 9 on the Three-Tier Terminal Block of each Module (A to H) on the ISTA-*BP*s
4. Route the field wires from the associated I/O devices into the enclosure containing the ISTA-*BP*s.
5. For the HiD2032 two channels can be connected as follows. Channel 1 with 1+ and 4- and channel 2 with 2+ and 5-. Please also see the details in Figure 4-1.

6. Turn the appropriate screw counter-clockwise sufficiently to allow field wire to be inserted. Slip the exposed end of each field wire into its appropriate screw terminal, and secure by turning the associated screw clockwise until the terminal firmly makes contact with the wire. The screw terminals and their respective designators are shown on a typical termination assembly in Figure 4-1.
7. Plug one end of the appropriate termination cable into its connector on the termination assembly. Secure the termination cable by turning both of its screw connectors clockwise until the cable is fastened.

You have completed connecting field wiring to the ISTA-*BP*.

Field (Signal) Wires

The colored background of the following table indicates a circuit, running in a hazardous area.

Table 4-1. H-System Basic Properties

Signal Inputs	Signal Outputs	H-System Module	Number	ISTA-*BP*
HART transmitter power supply 4 - 20 mA	4 - 20 mA	HiD2025	8 4 4 8 8	ISTA-201-BPAI ISTA-204-BPAIO ISTA-204-BPAIO-FD ISTA-214-BPHI ISTA-216-BPHI-R
HART transmitter power supply 4 - 20 mA	4 - 20 mA	HiD2026 2-channel	8 8 4 4 8	ISTA-211-BPAI ISTA-201-BPAI-D ISTA-204-BPAIO-D ISTA-204-BPAIO-FD-D ISTA-214-BPHI-D
HART transmitter power supply/current repeater 4 - 20 mA	4 - 20 mA or	HiD2029	8 8 8	ISTA-201-BPAI-FD ISTA-214-BPHI-FD ISTA-216-BPHI-FD-R
HART transmitter power supply/current repeater 4 - 20 mA	4 - 20 mA or	HiD2030 2-channel	8 8 8	ISTA-211-BPAI-3W ISTA-201-BPAI-FD-D ISTA-214-BPHI-FD-D
4 - 20 mA	Isolated output current driver 4 - 20 mA	HiD2031	4 4 8 8	ISTA-204-BPAIO ISTA-204-BPTIO ISTA-237-BPAO ISTA-237-BPAO-R

Table 4-1. H-System Basic Properties

Signal Inputs	Signal Outputs	H-System Module	Number	ISTA-*BP*
4 - 20 mA	Isolated output current driver 4 - 20 mA	HiD2032 2-channel	4 4	ISTA-204-BPAIO-D ISTA-204-BPTIO-D
4 - 20 mA	HART isolated output current driver 4 - 20 mA	HiD2037	4 4 8 8 8 8	ISTA-204-BPAIO-FD ISTA-204-BPTIO-FD ISTA-215-BPHO-FD ISTA-237-BPAO-FD ISTA-218-BPHO-FD-R ISTA-237-BPAO-FD-R
4 - 20 mA	HART isolated output current driver 4 - 20 mA	HiD2038 2-channel	4 4 8	ISTA-204-BPAIO-FD-D ISTA-204-BPTIO-FD-D ISTA-215-BPHO-FD-D
Converter for RTD, potentiometer, thermocouples and mV signals	4 - 20 mA	HiD2082 2-channel	8 4 4 8 8 4 4	ISTA-201-BPTI ISTA-204-BPTIO ISTA-204-BPTIO-FD ISTA-211-BPTI ISTA-201-BPTI-D ISTA-204-BPTIO-D ISTA-204-BPTIO-FD-D
Switch amplifier for proximity switches or mech. contacts	relay	HiD2822 2-channel	8 4 4	ISTA-207b-BPDI-FD ISTA-241c-BPDIO-FD ISTA-241c-BPDIO
Switch amplifier or proximity switches or mech. contacts	open collector output	HiD2844 4-channel	8	ISTA-217-BPDI-FD
mech. contact or open collector	Solenoid/Alarm Driver	HiD2872 2-channel	4	ISTA-241c-BPDIO
mech. contact or open collector	Solenoid/Alarm Driver	HiD2872 2-channel	4 8	ISTA-241c-BPDIO-FD ISTA-242-BPDO-FD
mech. contact or open collector	Solenoid/Alarm Driver	HiD2876 2-channel	8	ISTA-242-BPDO

Appendix A. H-System Modules Specifications without FBMs

Modules comprising the DIN rail mounted subsystem consist of the following:

- ◆ Intrinsic Safety Baseplate ISTA-*BP*
- ◆ Fieldbus Modules (FBMs); not included with the ISTA-*BP* assembly.
- ◆ H-System Modules

— **NOTE** —

Fieldbus Modules (FBMs) must be ordered separately. They are not included with the ISTA-*BP* assemblies.

Module Physical Characteristics

Single FBM version of ISTA -*BP*

The DIN rail mounted single ISTA-*BP* has a mass of 1.86 kg (4.1 lb) with 8 mounted H-System Modules and without FBMs. The dimensions of each device are (H/W/D) 153 mm (6.0 in), 175 mm (6.9 in), 254 mm (10.0 in).

Dual or redundant FBM versions of ISTA -*BP*

The DIN rail mounted redundant ISTA-*BP* has a mass of 2.1 kg (4.63 lb) with 8 mounted H-System Modules and without FBMs. The dimensions of each device are (H/W/D) 153 mm (6.0 in), 242 mm (9.5 in), 254 mm (10.0 in).

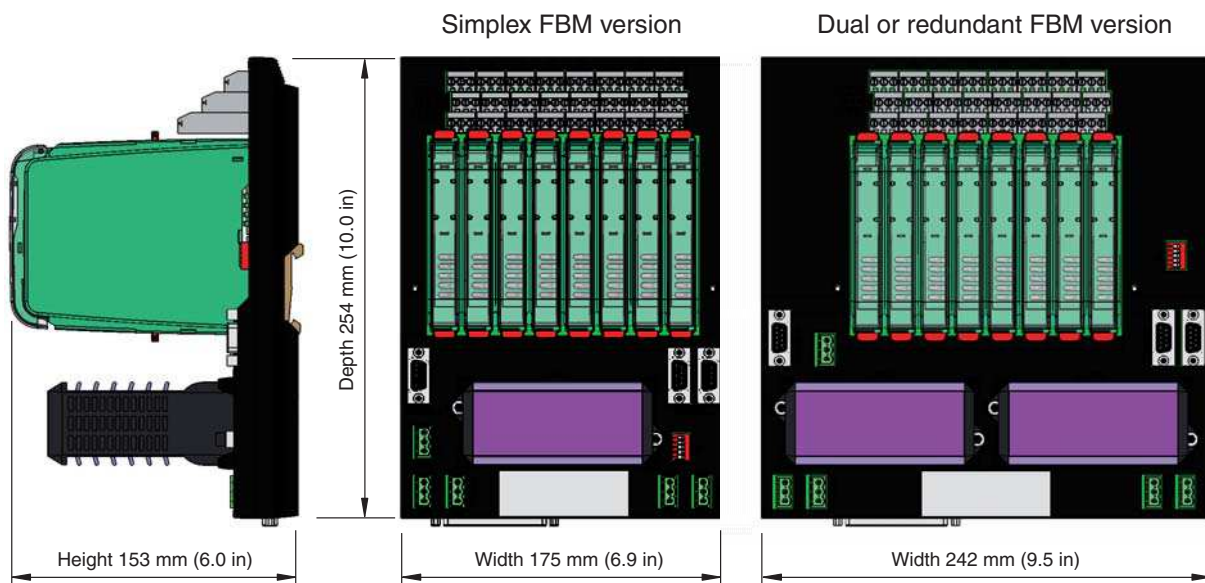


Figure A-1. Dimensions of FBM versions

Power Supply

ISTA-*BP*: 24 V dc

Fault Bus: 30 V with 10 mA

Module Temperature, Relative Humidity, and Contamination

Temperature, relative humidity, and contamination specifications for the DIN rail mounted FBM subsystem modules are as follows:

Temperature

Operating: 0 to +60° C (32 to +140° F)

Storage: -20 to +70° C (-4 to +158° F).

Relative Humidity

5 to 90%, noncondensing (applies for both operating and storage environments)

The modules are intended for Overvoltage Category II, Pollution Degree 2 as defined in IEC/EN 60664-1.

Module Vibration

The vibration specification for the DIN rail mounted FBM subsystem modules is 0.75 g (at 5 to 200 Hz) or 1 g (58 to 150 Hz) as defined in IEC 60068-2-6.

The shock resistance of the interface board is 15G, 11 ms (currentless state, sinusoidal half cycle) in acc. with IEC 60068-2-27.

Module Heat Dissipation and Power Consumption

Refer to Chapter “Functional and Environmental Considerations” for the heat dissipation and power consumption figures for the 200 Series FBM and H-System Modules in the DIN rail mounted FBM Subsystem. Also refer to that section for thermal loading for the enclosures housing these modules.

Electromagnetic Compatibility (EMC)

European EMC Directive 2004/180/EC

The H-System Modules and ISTA-*BP* fulfill the regulatory:

- ◆ EN 61326-1

Protection Classes Provided by Housing

(DIN VDE 0470 Part 1, IEC/EN 60529)

Table 4-2. Protection Classes

IP 2 0

Degree of protection against contact and foreign bodies	Degree of protection against water
0 - Not protected	0 - Not protected
1 - Protected against contact with hazardous components with the backs of the hand - Protected against solid foreign bodies with a size and diameter 50 mm and above	1 - Protected against dripping water
2 - Protected against contact with hazardous components with fingers - Protected against solid foreign bodies with a size and diameter of 12.5 mm or above	2 - Protected against dripping water when housing is tilted up to 15°
3 - Protected against contact with hazardous components with a tool - Protected against solid foreign bodies with a size and diameter of 2.5 mm or above	3 - Protected against sprayed water
4 - Protected against contact with hazardous components with a wire - Protected against solid foreign bodies with a size and diameter of 1.0 mm or above	4 - Protected against splash water
5 - Protected against contact with hazardous parts with a wire - Protection from dust	5 - Protected against water jets
6 - Protected against contact with hazardous components with a wire - Protected against dust	6 - Protected against strong water jets
	7 - Protected against temporary submersion in water
	8 - Protected against continuous submersion in water
	9 - protected from water at high pressure/ steam jet cleaning



IPS Corporate Headquarters
5601 Granite Parkway Suite 1000
Plano, TX 75024
United States of America
www.ips.invensys.com

Foxboro Global Client Support
Inside U.S.: 1-866-746-6477
Outside U.S.: 1-508-549-2424 or
contact your local Foxboro representative.
Facsimile: 1-508-549-4999