

# General Specifications

GS 32P06D10-01EN

Models S2SC70S, S2SC70D  
Safety Control Unit,  
Duplexed Safety Control Unit  
(for N-IO/FIO, Rack Mountable Type)



## ■ GENERAL

This General Specifications (GS) provides the hardware specifications of the safety control unit, which are intelligent parts of the safety control station (SCS). This product supports both N-IO and FIO.

## ■ HARDWARE SPECIFICATIONS

For the criteria for the installation environment, refer to "ProSafe-RS Safety Instrumented System Overview (for Vnet/IP)" (GS 32P01B10-01EN).

### ● Module Configuration

Power Supply Module (SPW481, SPW482 or SPW484): 2 modules

Processor Module (SCP461 style S2 or later): 2 modules for dual redundant configuration

### ● Processor

MIPS R5000 Processor

### ● Main Memory Capacity

128 MB

### ● Memory Protection at Power Failure

Application program is stored in non-volatile memories. Processor Module Management Information is stored in the storage memories backed up by a non-rechargeable battery.

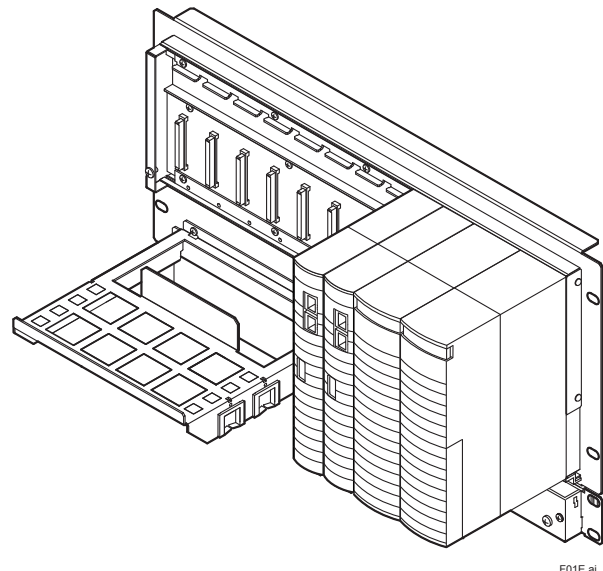
The battery's recommended replacement cycle is three years when it is used under the average ambient temperature of 30 °C or less.

### ● Temperature Adaptability

A fan unit is provided for high temperature use where the safety control units (S2SC70S-F/S2SC70D-F) ambient temperature exceeds 40 °C.

### ● Control Network

Vnet/IP interface: Dual-redundant



F01E.ai

### ● No. of Node Units Connectable

In order to extend the number of I/O channels, S2SC70□ allows N-IO nodes and safety node units to be connected to it. The number of individual nodes that can be connected is as follows.

N-IO node (\*1): Max. 32/ SCS  
Safety Node Unit (SNB10D): Max. 13/ SCS

\*1: For details, refer to the GS "ProSafe-RS Outline of I/O Modules (for N-IO)" (GS 32P06F10-01EN).

### ● Installation Restrictions for Node Units

#### N-IO Node

An N-IO node is connected via an N-ESB bus or optical ESB bus. A node connection via the N-ESB bus needs an N-ESB bus coupler module (S2EN402 or S2EN404).

A node connection via the optical ESB bus needs an ESB bus coupler module (SEC401 or SEC402) and an ESB bus optical repeater module (SNT401 or SNT411).

#### Safety Node Unit (SNB10D)

A safety node unit is connected via an ESB bus or optical ESB bus. A safety node unit connection via the ESB bus needs an ESB bus coupler module (SEC401 or SEC402). A safety node unit connection via the optical ESB bus needs an ESB bus coupler module (SEC401 or SEC402) and an ESB bus optical repeater module (SNT401 or SNT411).

---

### ● Installation Restrictions for Bus Interface Module

N-ESB Bus Coupler Modules (S2EN402 or S2EN404) shall be installed in an odd-numbered slot and the adjacent slot on the right of slots 1 to 8 according to the number of branches.

A pair of ESB Bus Coupler Modules (SEC401 or SEC402) shall be installed in slots 7 and 8.

A pair of Optical ESB Bus Repeater Master Modules (SNT401 or SNT411) shall be installed in an odd-numbered slot and the adjacent slot on the right of slots 1 to 6 according to the number of branches.

For details, refer to the GS of each module.

### ● Installation Restrictions

Up to eight I/O modules (for FIO) can be installed to a S2SC70□.

For the I/O module (for FIO) installation limitations and notes, refer to "ProSafe-RS Outline of I/O Modules" (GS 32Q06K20-31E).

### ● Power Requirements

Specify suffix codes.

Voltage: 100 to 120 V AC, 50 or 60 Hz

Voltage: 220 to 240 V AC, 50 or 60 Hz

Voltage: 24 V DC

### ● Power Consumption

#### • S2SC70S-S /S2SC70D-S

100 to 120 V AC model: 200 VA

200 to 240 V AC model: 230 VA

24 V DC model: 5.5 A

#### • S2SC70S-F/S2SC70D-F

100 to 120 V AC model: 240 VA

200 to 240 V AC model: 290 VA

24 V DC model: 7.0 A

### ● Weight

S2SC70S-S: Approx. 7.9 kg

S2SC70S-F: Approx. 13 kg

S2SC70D-S: Approx. 8.5 kg

S2SC70D-F: Approx. 13 kg

### ● Mounting

Rack mounting: Rack mount  
(S2SC70□-S, M5x8 screws)

(S2SC70□-F, M5x12 screws)

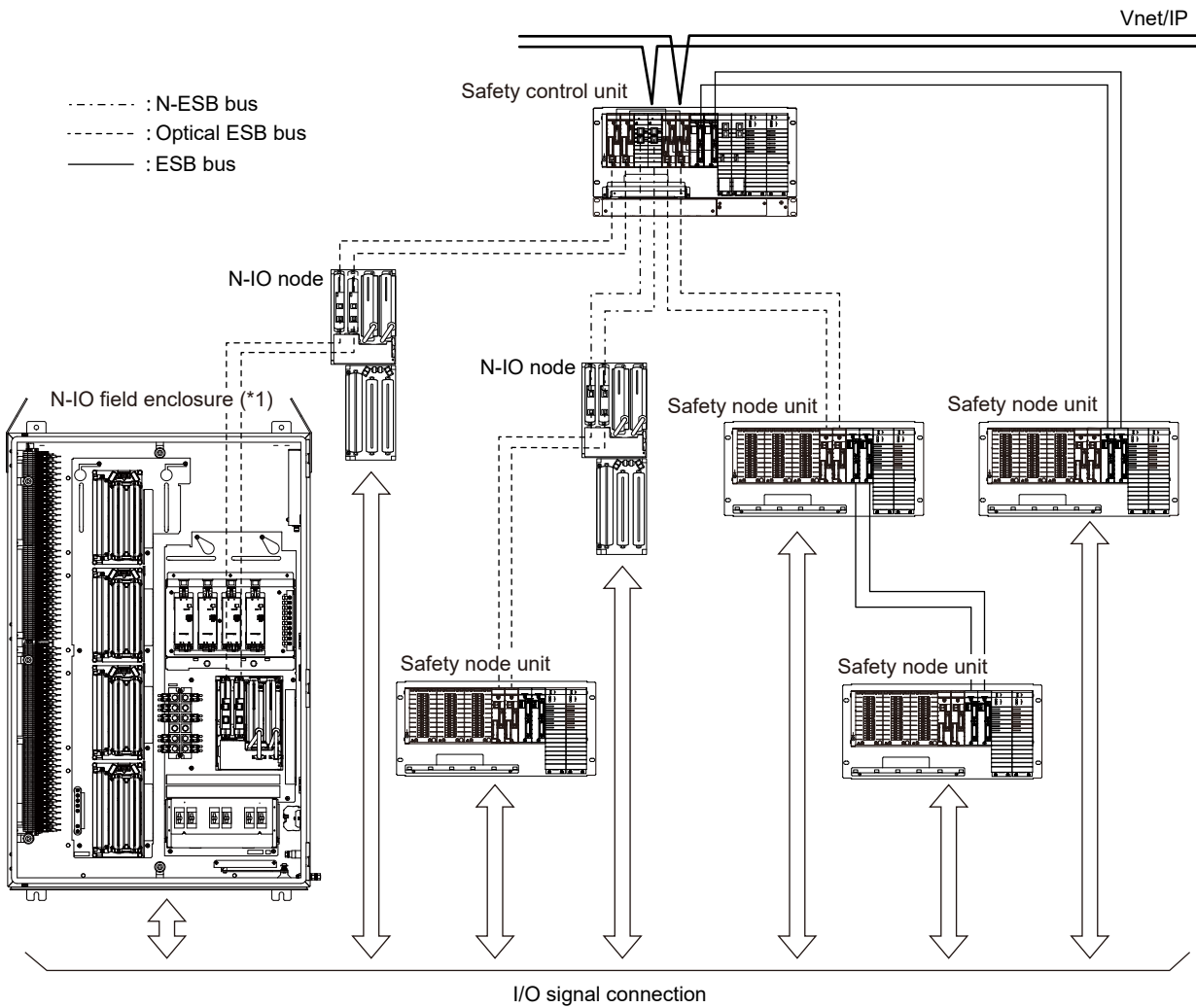
Insulation bush (accessory)

### ● Connection

Power Supply: M4 screw terminal connection

Grounding: M4 screw terminal connection

The following shows a configuration example of ProaSafe-RS system of S2SC70□, N-IO node and safety node units.



F04E.ai

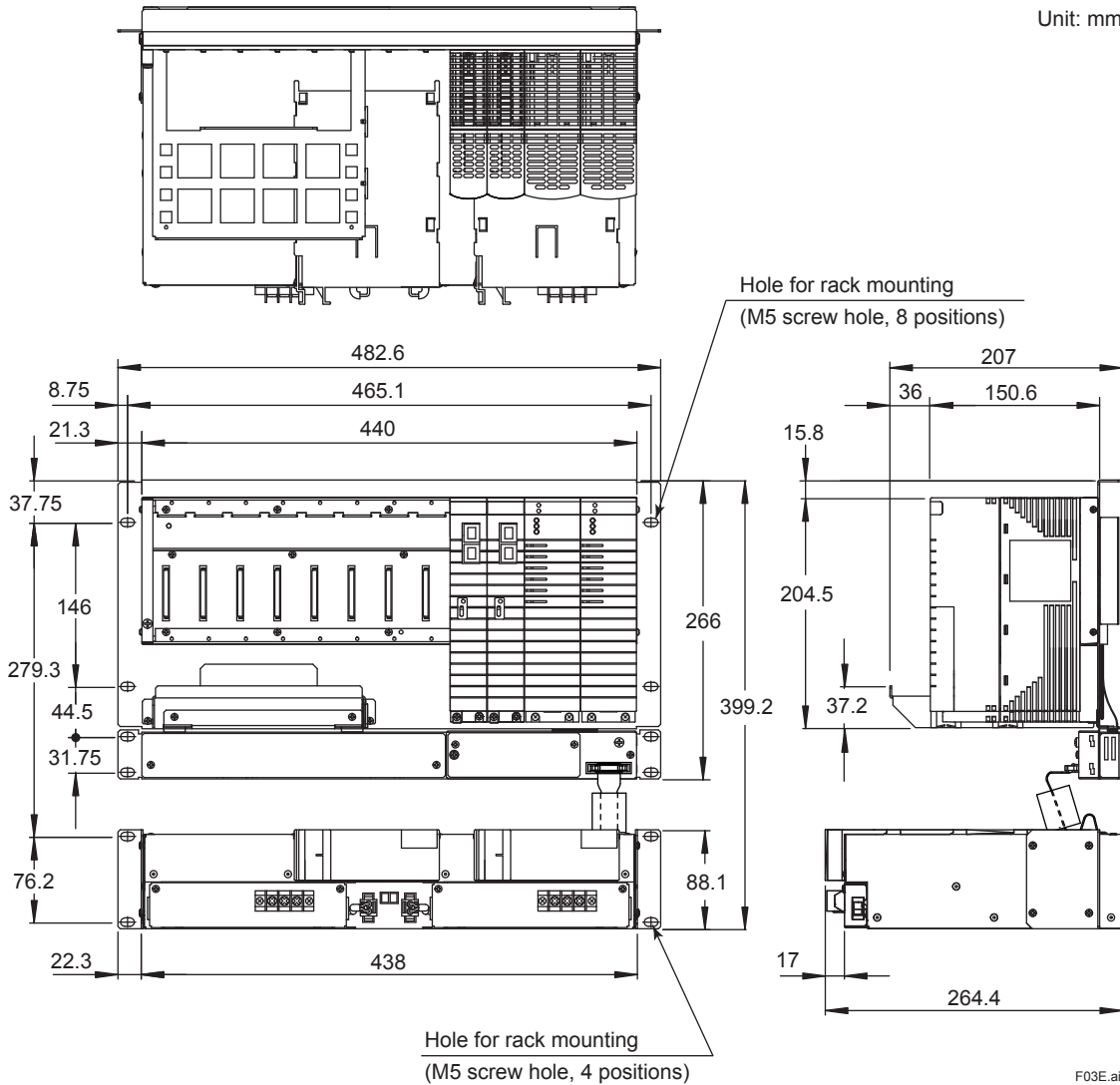
\*1: For details, refer to the GS "N-IO field enclosure" ( GS 32P06Q10-01EN )

**Figure Safety Control Station (SCS) System Configuration**

## EXTERNAL DIMENSIONS

### S2SC70S-S, S2SC70S-F, S2SC70D-S, S2SC70D-F

Unit: mm



#### Nominal tolerance:

Nominal tolerance is  $\pm 0.8$  mm for the dimensions of 0.5 mm or more and 120 mm or less, and the combined nominal tolerance is  $\pm 1.5$  mm.

The nominal tolerance is in accordance with JEM 1459 for the dimensions over 120 mm.

## SOFTWARE

S2SC70S and S2SC70D are supported by R4.01 or later.

A software licenses are required for S2SC70S and S2SC70D separately. For details, refer to the GS "Safety Control Function (for S2SC70□), Safety Control Function for SCS Simulator (for S2SC70□)" (GS 32P03B30-01EN) and "Project I/O License" (GS 32P03A10-01EN).

## STANDARD ACCESSORIES

S2SC70S and S2SC70D are delivered with the following standard accessories.

Parts Names	Parts Numbers	Description	Quantity	Remarks
Insulating bush	S9049PM	S2SC70S-S / S2SC70D-S	8	Accessories
		S2SC70S-F / S2SC70D-F	12	

## ■ MODEL AND SUFFIX CODES

### Safety Control Unit

		Description
<b>Model</b>	S2SC70S	Safety Control Unit (for N-IO/FIO, Rack Mountable Type)
<b>Suffix Codes</b>	-S	Standard type (-20 to 40 °C)
	-F	wide range temperature type (-20 to 70 °C)
	4	Dual-redundant Vnet/IP, dual-redundant power supply
	1	Always 1
	1	100 - 120 V AC power supply (*1)
	2	220 - 240 V AC power supply (*1)
	4	24 V DC power supply (*1) (*2)
	0	With no explosion protection
	1	With explosion protection (*2)
	1	With ISA Standard G3
0	Always 0	
<b>Option Code</b>	/ATDOC	Explosion Protection Manual (*3)

\*1: For the rack mountable devices, DIN rail mountable devices, and wall mountable devices to meet the Safety Standards and EMC Standards, the devices must be installed in a lockable metal cabinet. The cabinet must conform to IEC/EN/CSA 61010-2-201 or provide degrees of protection IP3X or above and IK09 or above.

\*2: Only suffix code for 24 V DC power supply complies with ATEX/IECEX Directive.

\*3: Select the option code "/ATDOC" to follow the ATEX/IECEX Directive when any components are used for explosion protection.

### Duplexed Safety Control Unit

		Description
<b>Model</b>	S2SC70D	Duplexed Safety Control Unit (for N-IO/FIO, Rack Mountable Type)
<b>Suffix Codes</b>	-S	Standard type (-20 to 40 °C)
	-F	wide range temperature type (-20 to 70 °C)
	4	Dual-redundant Vnet/IP, dual-redundant power supply
	1	Always 1
	1	100 - 120 V AC power supply (*1)
	2	220 - 240 V AC power supply (*1)
	4	24 V DC power supply (*1) (*2)
	0	With no explosion protection
	1	With explosion protection (*2)
	1	With ISA Standard G3
0	Always 0	
<b>Option Code</b>	/ATDOC	Explosion Protection Manual (*3)

\*1: For the rack mountable devices, DIN rail mountable devices, and wall mountable devices to meet the Safety Standards and EMC Standards, the devices must be installed in a lockable metal cabinet. The cabinet must conform to IEC/EN/CSA 61010-2-201 or provide degrees of protection IP3X or above and IK09 or above.

\*2: Only suffix code for 24 V DC power supply complies with ATEX/IECEX Directive.

\*3: Select the option code "/ATDOC" to follow the ATEX/IECEX Directive when any components are used for explosion protection.

## ■ CONFORMITY STANDARDS

Refer to "ProSafe-RS Standards compliant models" (GS 32P01B60-01EN).

## ■ ORDERING INFORMATION

Specify the model, suffix code(s), and option code(s).

For selecting the right products for explosion protection, please refer to TI 32S01J30-01E without fail.

---

## ■ NOTES FOR ORDERING

The processor module is delivered without a battery for memory back up. Please separately purchase the battery as specified below and place it prior to use the processor module.

Part No. S9185FA x 1 pce (for S2SC70S)

Part No. S9185FA x 2 pcs (for S2SC70D)

## ■ TRADEMARKS

- ProSafe, CENTUM, PRM, STARDOM, FAST/TOOLS, Exaopc, FieldMate, and Vnet/IP are either registered trademarks or trademarks of Yokogawa Electric Corporation.
- Other company and product names appearing in this document are registered trademarks or trademarks of their respective holders.