



10201/2/1

Fail-safe digital output module (24 Vdc, 0.55 A, 8 channels)

Description

The fail-safe digital output module 10201/2/1 has eight 24 Vdc, 550 mA output channels to drive loads up to 13 W. These loads may be resistive (e.g. lamps) or inductive (e.g. solenoids). For inductive loads, a suppression diode is included on each output. The outputs, including the suppression diodes, are fully tested and may therefore be used for fail-safe applications.

Within the configured process safety time, the outputs are tested for:

- ability to de-energize,
- ability to de-energize the group (via secondary means),
- crosstalk between outputs, and
- functioning of the suppression diodes.

The outputs are split into two groups of four outputs each. Each group has its own secondary means of de-energization. This increases the shutdown selectivity in case of a channel failure.

The secondary means of de-energization enables the watchdog and/or the processor to de-energize the outputs, irrespective of the result of the application function.

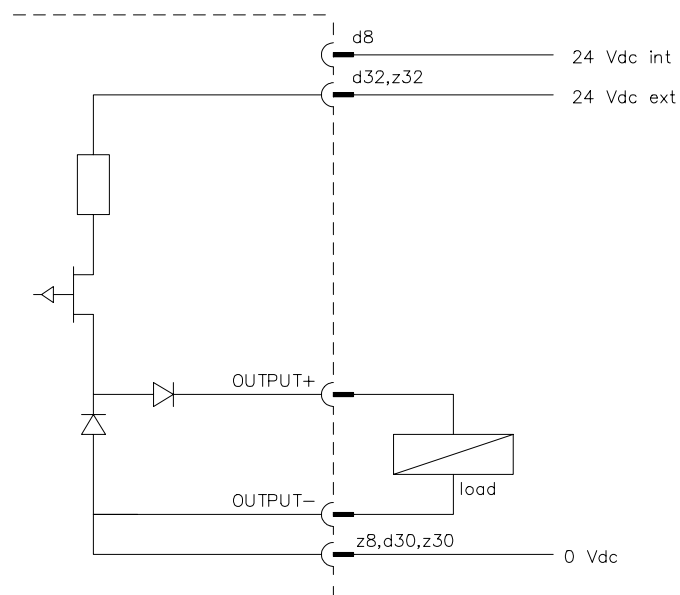
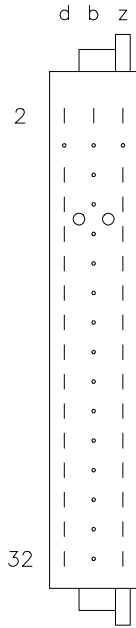


Figure 1 Schematic diagram for connection of one output to the 10201/2/1 module



Pin allocation

The back view and pin allocation of the 10201/2/1 module connector are as follows:



d2	WDG	b2	GND	z2	VCC
d4	–			z4	–
d6				z6	
d8	Supply 24 Vdc int.			z8	Supply 0 Vdc
d10	(0 Vdc)			z10	(0 Vdc)
d12	OUT 1+			z12	OUT 1–
d14	OUT 2+			z14	OUT 2–
d16	OUT 3+			z16	OUT 3–
d18	OUT 4+			z18	OUT 4–
d20	OUT 5+			z20	OUT 5–
d22	OUT 6+			z22	OUT 6–
d24	OUT 7+			z24	OUT 7–
d26	OUT 8+			z26	OUT 8–
d28	(0 Vdc)			z28	(0 Vdc)
d30	Supply 0 Vdc			z30	Supply 0 Vdc
d32	Supply 24 Vdc ext.			z32	Supply 24 Vdc ext.

Connection examples

The figures below show a number of connection examples for the fail-safe digital output module 10201/2/1.

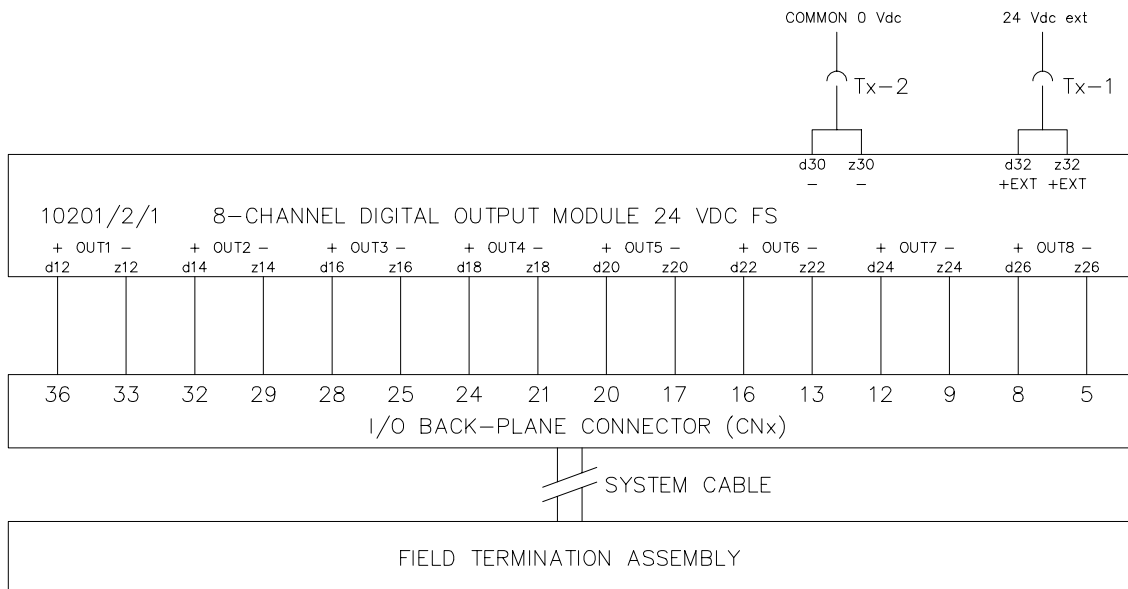


Figure 2 Connection example of 10201/2/1 module to FTA for both non-redundant and redundant I/O configurations

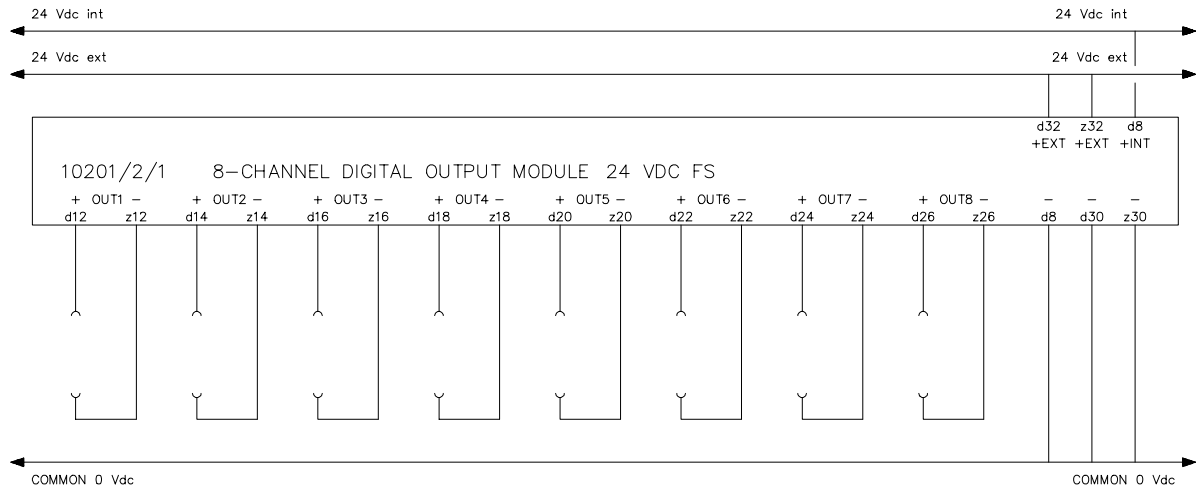


Figure 3 I/O connection example of 10201/2/1 module for non-redundant I/O configurations

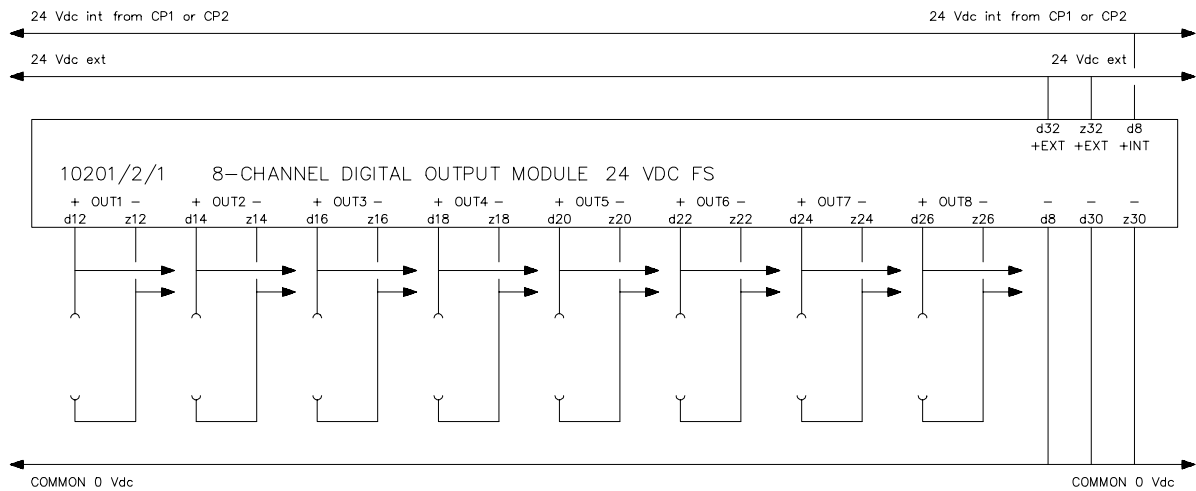


Figure 4 I/O connection example of 10201/2/1 module for redundant I/O configurations

Note:

The 24 Vdc internal and external power supplies must be connected to prevent fault detection during the self-test of the output module (pins d8, z8, d30/z30 and d32/z32).



Technical data

The 10201/2/1 module has the following specifications:

General	Type number:	10201/2/1 11501*
	Approvals:	CE, TÜV, UL
	Software versions:	≥ 3.00
	Space requirements:	4 TE, 3 HE (= 4 HP, 3U)
Power	Power requirements:	5 Vdc 25 mA 24 Vdc internal 25 mA 24 Vdc external 70 mA (without output load)
	Output	Number of output channels: 8
	Output specification:	24 Vdc solid-state source, short-circuit proof
	Maximum current:	550 mA* (see 'FSC output modules' data sheet)
	Maximum lamp load:	120 mA (2.9 W)*
	Maximum load capacitance:	1 µF
	Voltage drop:	< 2.0 Vdc at 500 mA*
	Off current:	< 0.1 mA
	WDG input current:	8 mA
Key coding	(See 'Key coding' data sheet)	
	Module code:	
	– holes	A9, C9
	Rack code:	
– large pins	A9, C9	

* Note:

10201/2/1 modules with suffix code 11500 have a maximum current of at least 450 mA, a maximum lamp load of 100 mA (2.4 W) and a voltage drop of < 2.0 Vdc at 400 mA..

While this information is presented in good faith and believed to be accurate, Honeywell Safety Management Systems B.V. disclaims the implied warranties of merchantability and fitness for a particular purpose and makes no express warranties except as may be stated in its written agreement with and for its customer. In no event is Honeywell Safety Management Systems B.V. liable to anyone for any indirect, special or consequential damages. The information and specifications in this document are subject to change without notice.